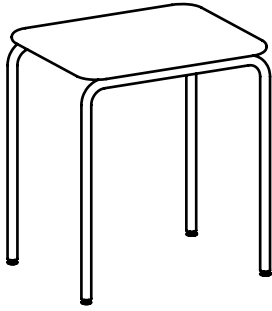


Makr Student Desk



Options / Notes:

Table Height: 29.5"

TFL Edge: edgeband ONLY

HPL Edge: edgeband / MDF 90 /
MDF Knife / MDF trim

PLY/Richlite Edge: PLY 90 / PLY
knife

Powdercoat MDF: MOQ of 50,
smaller orders may effect price

Dimensions

Surface Material

D	W	MODEL NUMBER	TFL	HPL/ Mirlux	PLY	*Richlite	**Powdercoat MDF
20"	27"	SC-SD-2027-29	245	325	460	560	405

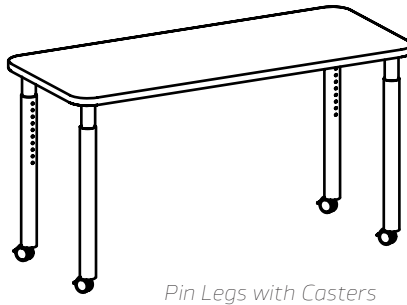
**Richlite comes with 1/8" phenolic resin face veneers and a 3/4" baltic birch plywood core.*

***Powdercoat MDF has a MOQ of 50, smaller orders may effect price. Inquire for leadtimes.*

Makr Simple Table



Fixed Legs with Glides



Pin Legs with Casters

Options / Notes:

Pin Adj. w/ Casters: +\$400

Pin Adj. w/o Casters: +\$400

Pin Adj. Wheel barrow: +\$400

Custom Power Cutouts: +\$150

TFL Edge: edgeband ONLY

HPL Edge: edgeband / MDF 90 /
MDF Knife / MDF trim

PLY/Richlite Edge: 90 / PLY knife

Anti Sag: Standard on all Tables

Corner Radius: 3"

Dimensions

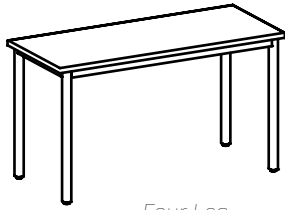
Surface Material

D	W	MODEL NUMBER	TFL	HPL/ Mirlux	PLY	*Richlite	**Powdercoat MDF
24"	48"	SC-ST-2448-29	630	800	1090	1300	1050
24"	60"	SC-ST-2460-29	670	880	1240	1510	1195
24"	72"	SC-ST-2472-29	710	960	1395	1720	1340
30"	48"	SC-ST-3048-29	665	875	1235	1505	1190
30"	60"	SC-ST-3060-29	712	975	1425	1760	1370
30"	72"	SC-ST-3072-29	760	1075	1615	2020	1550
36"	48"	SC-ST-3648-29	700	950	1385	1710	1330
36"	60"	SC-ST-3660-29	755	1070	1610	2015	1550
36"	72"	SC-ST-3672-29	810	1190	1840	2322	1755

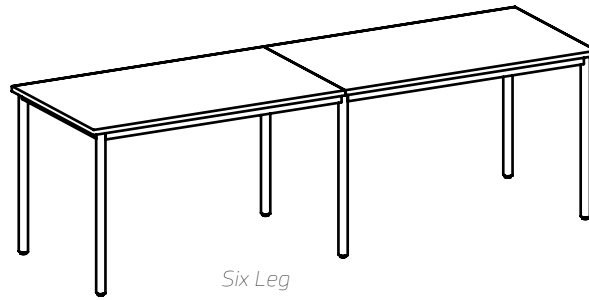
*Richlite comes with 1/8" phenolic resin face veneers and a 3/4" baltic birch plywood core.

**Powdercoat MDF has a MOQ of 50, smaller orders may effect price. Inquire for leadtimes.

Makr Heavy Duty Table



Four Leg



Six Leg

Options / Notes:

Casters: +\$150 (hieght not altered)

6 Leg: Tables over 72" have 6 legs

2 piece Top: Tables over 96"

Table Hieght: 29.5" / 36"+\$230 / 42"+\$230

Custom Power Cutouts: +\$150

TFL Edge: edgeband ONLY

HPL Edge: edgeband / MDF 90 / MDF Knife / MDF trim

PLY Edge: PLY 90 / PLY knife

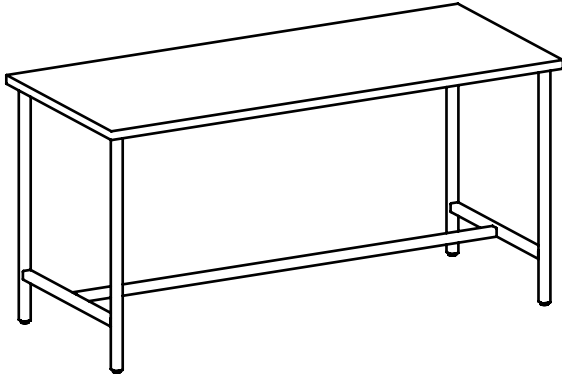
Dimensions

Surface Material

D	W	MODEL NUMBER	TFL	HPL/ Mirlux	PLY	*Richlite
24"	48"	SC-HDT-2448	2080	2250	2540	2750
24"	60"	SC-HDT-2460	2120	2330	2690	2960
24"	72"	SC-HDT-2472	2160	2410	2845	3170
24"	84"	SC-HDT-2484	3495	3790	4295	4670
24"	96"	SC-HDT-2496	3640	3975	4550	4985
24"	108"	SC-HDT-24108	3680	4060	4705	5190
24"	120"	SC-HDT-24120	3720	4140	4860	5400
30"	48"	SC-HDT-3048	2215	2425	2785	3055
30"	60"	SC-HDT-3060	2265	2525	2975	3315
30"	72"	SC-HDT-3072	2310	2625	3165	3570
30"	84"	SC-HDT-3084	3700	4070	4700	5175
30"	96"	SC-HDT-3096	3855	4275	4995	5535
30"	108"	SC-HDT-30108	3900	4375	5185	5795
30"	120"	SC-HDT-30120	3950	4475	5375	6050
36"	48"	SC-HDT-3648	2350	2600	3035	3360
36"	60"	SC-HDT-3660	2405	2720	3260	3665
36"	72"	SC-HDT-3672	2460	2840	3485	3975
36"	84"	SC-HDT-3684	3910	4350	5110	5675
36"	96"	SC-HDT-3696	4070	4575	5440	6090
36"	108"	SC-HDT-36108	4125	4690	5665	6395
36"	120"	SC-HDT-36120	4180	4810	5860	6700

*Richlite comes with 1/8" phenolic resin face veneers and a 3/4" baltic birch plywood core.

Makr H Table



Options / Notes:

Casters: +\$150 (hieght not altered)

Table Hieght: 29.5" / 36"+\$230 / 42"+\$230

Custom Power Cutouts: +\$150

TFL Edge: edgeband ONLY

HPL Edge: edgeband / MDF 90 / MDF Knife / MDF trim

PLY Edge: PLY 90 / PLY knife

Dimensions

Surface Material

D	W	MODEL NUMBER	TFL	HPL/ Mirlux	PLY	*Richlite	**Butcher Block
24"	48"	SC-HT-2448	1595	1765	2050	2270	2595
24"	60"	SC-HT-2460	1635	1845	2205	2475	2885
24"	72"	SC-HT-2472	1675	1930	2360	2685	3175
24"	84"	SC-HT-2484	1715	2010	2515	2890	3465
24"	96"	SC-HT-2496	1755	2090	2670	3100	3755
36"	48"	SC-HT-3648	2185	2440	2870	3195	3685
36"	60"	SC-HT-3660	2240	2555	3095	3500	4115
36"	72"	SC-HT-3672	2295	2675	3320	3810	4545
36"	84"	SC-HT-3684	2350	2790	3550	4115	4975
36"	96"	SC-HT-3696	2410	2910	3775	4420	5405
48"	48"	SC-HT-4848	2545	2880	3460	3890	4545
48"	60"	SC-HT-4860	2615	3035	3755	4295	5115
48"	72"	SC-HT-4872	2685	3190	4055	4700	5685
48"	84"	SC-HT-4884	2755	3350	4350	5110	6255
48"	96"	SC-HT-4896	2825	3500	4650	5515	6825

*Richlite comes with 1/8" phenolic resin face veneers and a 3/4" baltic birch plywood core.

** Butcher Block is made from select maple, it is finished with hardwax oil, and it is 1 3/8" thick.