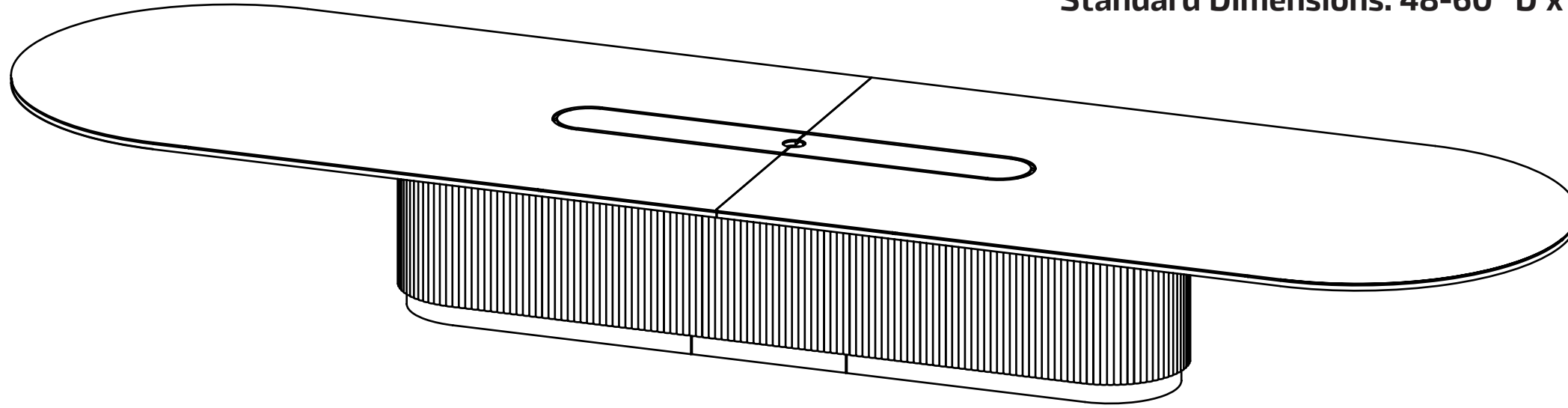


Vast Conference Sizing & List Pricing

Standard Dimensions: 48-60" D x 84-180"W



Base Pricing:

Bases are always half the width of the surface. They feature a plywood and steel understructure that supports the large surface cantilevers.

48" and under:

HPL/Veneer - \$3,950 List
 Tambour Slat - \$7,900 List
 Height Adjustable + \$5,445 List

49-72" and under:

HPL/Veneer - \$5,950 List
 Tambour Slat - \$10,900 List
 Height Adjustable + \$5,445 List

73-90" and under:

HPL/Veneer - \$6,950 List
 Tambour Slat - \$12,900 List
 Height Adjustable + \$8,445 List

Access door +\$260 List

Surface Pricing:

Table surfaces can be specified with square corner, rounded corners, or fully rounded ends (does not effect price). Custom shapes available on request. Monolithic surfaces are priced by square foot based on material. To calculate the square footage of a surface multiply the length (in) by the with (in) and divide by 144. Multiply that value by the material price below and add it to the base price to get list pricing. Surfaces over 90" ship in 2 parts with a tight joint seam unless specified otherwise (larger surface may have special shipping considerations).

| TFL | HPL/Veneer/ Mirlux | Fenix | HPL/Veneer on Ply Core | Fenix on Ply Core | Corian/Solid Surface | Quartz or Stone |
|------------|-----------------------|------------|---------------------------|----------------------|-------------------------|--------------------|
| +\$35/sqft | +\$65/sqft | +\$95/sqft | +\$105/sqft | +\$135/sqft | +\$180/sqft | +\$275/sqft |

Prices may vary based on the exact material spec.

Power & Technology:

Power and Technology integration is a crucial part of modern meeting/conference tables. We work with our clients specifications to accommodate their specific needs. We can either supply power solutions on our end, or create surface cut outs or features that allow technology to be installed in the field. Below are some common configurations:

USB C Edge Power:

Makr offers a proprietary solution where we integrate USB C ports into a 1/4" reveal on the edge of the surface.
 List Price: +\$500 per port

In Surface Power

We work with Byrne to offer a comprehensive collection of in surface power options. ([Catalogue](#))
 List Price: On request

Perimeter Power:

Under mount power units spaced around the edge of a table put power right at the users finger tips. We use the [Byrne Pattern](#) system to accommodate this.
 List Price: On request

Technology Compartment

We can create technology compartments to client specifications in the surface of Monolithic tables to allow for cable management and power access.
 List Price: On request

Edge Options:

TFL Edge: edge band ONLY
HPL/Veneer Edge: edge band / MDF 90 / MDF Knife / MDF trim
PLY Edge: PLY 90 / PLY knife

Power Options:

Custom Cutout: +\$320 List
Grommet: +\$45 List