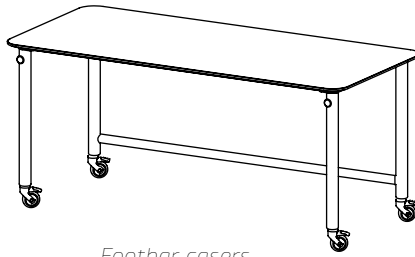
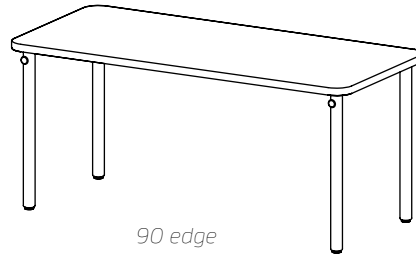


MOMENT Desk



Footbar, casters,
knife edge



90 edge

Options / Notes:

Casters: +\$90 (hieght not altered)

Grommets: +\$55

Desk Hieght: 29.5" / 36" / 42"+\$200

***Footbar Required on 42" Tall Desks**

TFL Edge: edgeband ONLY

HPL Edge: edgeband / MDF 90 /

MDF Knife / MDF trim

PLY Edge: PLY 90 / PLY knife

Bag hooks standard on all desks

Under Surface Cable Cover: +\$600

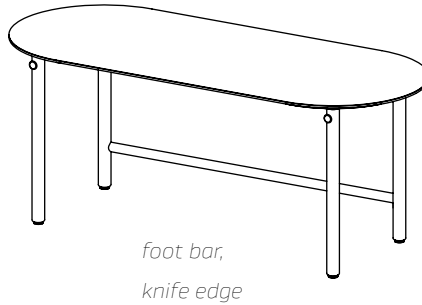
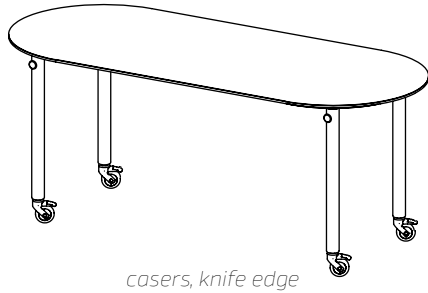
Dimensions

Surface Material

Footbar

D	W	MODEL NUMBER	TFL	HPL	PLY	TYPE A
24"	48"	MD2448	1160	1390	1550	+280
24"	54"	MD2454	1170	1430	1610	+300
24"	60"	MD2460	1190	1480	1780	+330
24"	66"	MD2466	1230	1530	1750	+350
24"	72"	MD2472	1250	1570	1810	+370
30"	48"	MD3048	1200	1470	1660	+280
30"	54"	MD3054	1230	1520	1740	+300
30"	60"	MD3060	1250	1580	1820	+330
30"	66"	MD3066	1280	1630	1900	+350
30"	72"	MD3072	1300	1690	1980	+370
36"	48"	MD3648	1210	1470	1660	+280
36"	54"	MD3654	1240	1520	1740	+300
36"	60"	MD3660	1260	1580	1820	+330
36"	66"	MD3666	1290	1630	1900	+350
36"	72"	MD3672	1320	1690	1980	+370

MOMENT Racetrack Desk



Options / Notes:

Casters: +\$90 (hieght not altered)

Grommets: +\$55

Desk Hieght: 29.5" / 36" / 42"+\$200

***Footbar Required on 42" Tall Desks**

TFL Edge: edgeband ONLY

HPL Edge: edgeband / MDF 90 /
MDF Knife / MDF trim

PLY Edge: PLY 90 / PLY knife

Bag hooks standard on all desks

Under Surface Cable Cover: +\$600

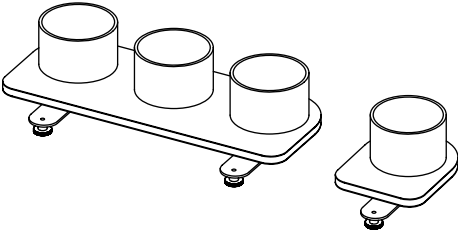
Dimensions

Surface Material

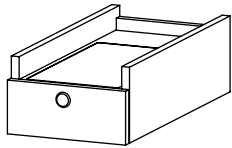
Footbar

D	W	MODEL NUMBER	Surface Material			TYPE A
			TFL	HPL	PLY	
24"	60"	MDO2460	1190	1480	1680	+330
24"	72"	MDO2472	1250	1570	1810	+370
30"	60"	MDO3060	1250	1580	1620	+330
30"	72"	MDO3072	1300	1690	1980	+370
36"	60"	MDO3660	1260	1580	1720	+330
36"	72"	MDO3672	1320	1690	1980	+370

MOMENT Desk Accessories

	D	W	H	MODEL NUMBER	Price
Planters 	Single				
	12"	9"	9"	MTAPL1	250
	Tripple				
	12"	24"	9"	MTAPL3	450

Pendant Storage

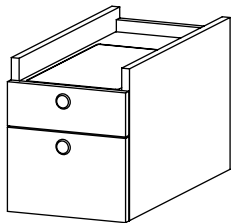


Pencil for 24" deep desk

20" 12" 7" **MTDPP24** 550

Pencil for 30" deep desk

26" 12" 7" **MTDPP30** 650

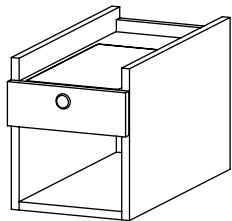


Pencil + Box for 24" deep desk

20" 12" 7" **MTDPPB24** 700

Pencil + Box for 30" deep desk

26" 12" 7" **MTDPPB30** 800

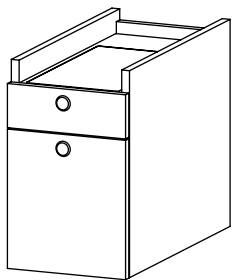


Pencil + Open for 24" deep desk

20" 12" 7" **MTDPP024** 600

Pencil + Open for 30" deep desk

26" 12" 7" **MTDPP030** 700



Pencil + File for 24" deep desk

20" 12" 7" **MTDPPF24** 750

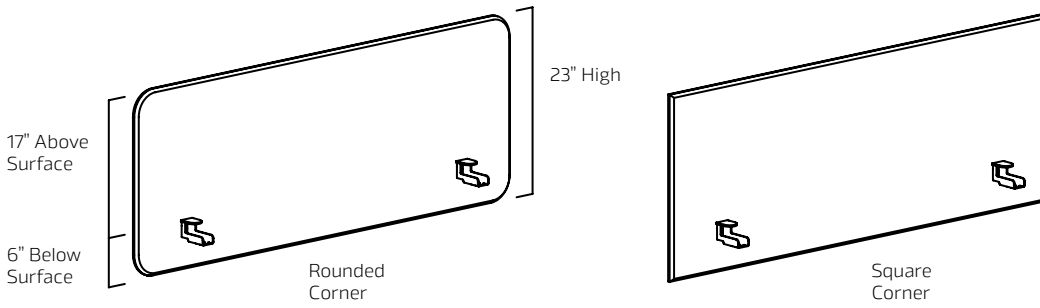
Pencil + File for 30" deep desk

26" 12" 7" **MTDPPF30** 850

Pendent storage can be specified on the right, left, or on both sides of the Moment Teacher Desk

Makr Privacy Screens

46" System Height no Modesty



Options / Notes:

Standard Fabric: Price based on Camira Rivet

Premium Fabric: Price Based on Camira Synergy 66

COM Fabric: Price will be determined based on specified fabric

Clamp on Brackets: Works on any surface less than 1.25" thick. Knife edge needs wood screws.

Footprint: Screens will add 1.5" in width and 2.25" in depth or width to the overall footprint of the desk

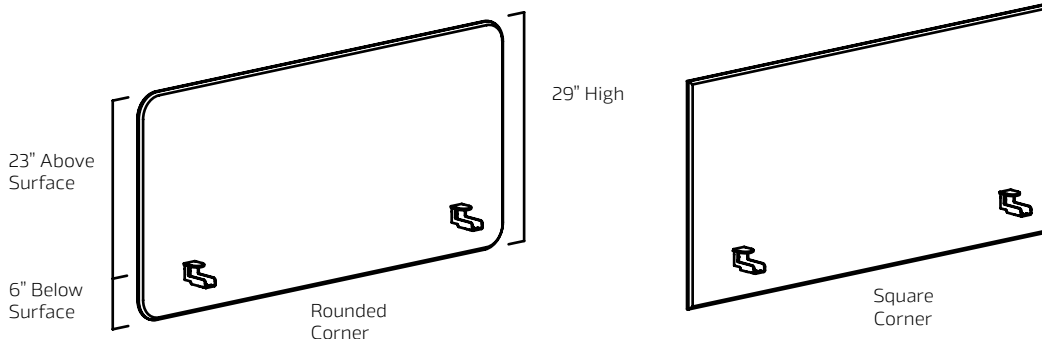
Dimensions

Screen Material

H	W	MODEL NUMBER	TFL	HPL/ Mirlux	Standrad Fabric	Premium Fabric	Frosted Acrylic
Rounded Corner							
23"	24"	DSRNM2324	250	370	380	480	370
23"	30"	DSRNM2330	280	420	410	550	410
23"	36"	DSRNM2336	300	470	450	610	450
23"	42"	DSRNM2342	320	530	490	670	500
23"	48"	DSRNM2348	350	580	530	740	540
23"	54"	DSRNM2354	370	630	560	800	580
23"	60"	DSRNM2360	390	680	600	860	630
23"	66"	DSRNM2366	420	730	640	930	670
23"	72"	DSRNM2372	440	790	680	990	720
Square Corner							
23"	24"	DSSNM2324	250	370	380	480	370
23"	30"	DSSNM2330	280	420	410	550	410
23"	36"	DSSNM2336	300	470	450	610	450
23"	42"	DSSNM2342	320	530	490	670	500
23"	48"	DSSNM2348	350	580	530	740	540
23"	54"	DSSNM2354	370	630	560	800	580
23"	60"	DSSNM2360	390	680	600	860	630
23"	66"	DSSNM2366	420	730	640	930	670
23"	72"	DSSNM2372	440	790	680	990	720

Makr Privacy Screens

52" System Height no Modesty



Options / Notes:

Standard Fabric: Price based on Camira Rivet

Premium Fabric: Price Based on Camira Synergy 66

COM Fabric: Price will be determined based on specified fabric

Clamp on Brackets: Works on any surface less than 1.25" thick. Knife edge needs wood screws.

Footprint: Screens will add 1.5" in width and 2.25" in depth or width to the overall footprint of the desk

Dimensions

Screen Material

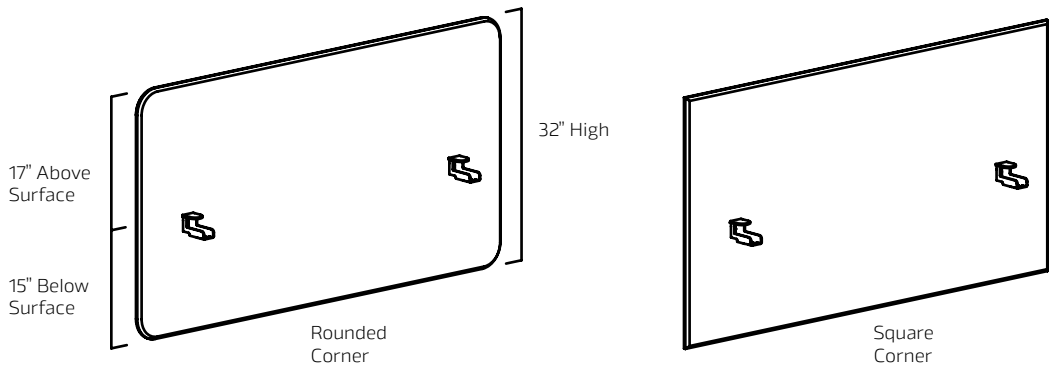
H	W	MODEL NUMBER	TFL	HPL/ Mirlux	Standrad Fabric	Premium Fabric	Frosted Acrylic
Rounded Corner							
29"	24"	DSRNM2924	280	420	480	500	410
29"	30"	DSRNM2930	310	490	540	570	460
29"	36"	DSRNM2936	330	550	600	640	520
29"	42"	DSRNM2942	360	620	660	700	570
29"	48"	DSRNM2948	390	680	720	770	630
29"	54"	DSRNM2954	420	740	790	840	680
29"	60"	DSRNM2960	440	810	850	910	730
29"	66"	DSRNM2966	470	870	910	980	790
29"	72"	DSRNM2972	500	940	970	1040	840

Square Corner

29"	24"	DSSNM2924	280	420	480	500	410
29"	30"	DSSNM2930	310	490	540	570	460
29"	36"	DSSNM2936	330	550	600	640	520
29"	42"	DSSNM2942	360	620	660	700	570
29"	48"	DSSNM2948	390	680	720	770	630
29"	54"	DSSNM2954	420	740	790	840	680
29"	60"	DSSNM2960	440	810	850	910	730
29"	66"	DSSNM2966	470	870	910	980	790
29"	72"	DSSNM2972	500	940	970	1040	840

Makr Privacy Screens

46" System Height with Modesty



Options / Notes:

- Standard Fabric:** Price based on Camira Rivet
- Premium Fabric:** Price Based on Camera Synergy 66
- COM Fabric:** Price will be determined based on specified fabric
- Clamp on Brackets:** Works on any surface less than 1.25" thick. Knife edge needs wood screws.
- Footprint:** Screens will add 1.5" in width and 2.25" in depth or width to the overall footprint of the desk

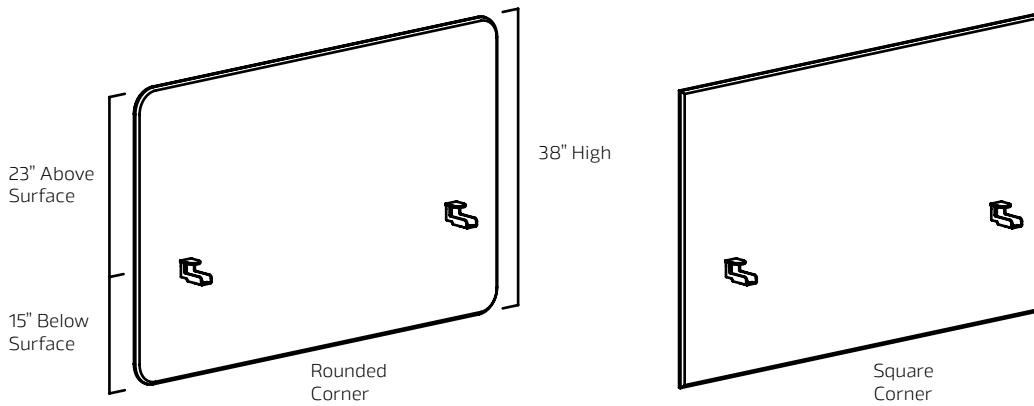
Dimensions

Screen Material

H	W	MODEL NUMBER	TFL	HPL/ Mirlux	Standrad Fabric	Premium Fabric	Frosted Acrylic
Rounded Corner							
32"	24"	DSRM3224	290	450	490	690	430
32"	30"	DSRM3230	320	520	550	810	490
32"	36"	DSRM3236	350	590	610	930	550
32"	42"	DSRM3242	380	660	680	1040	620
32"	48"	DSRM3248	410	730	740	1160	670
32"	54"	DSRM3254	440	800	810	1270	730
32"	60"	DSRM3260	470	870	870	1390	780
32"	66"	DSRM3266	500	940	940	1510	840
32"	72"	DSRM3272	530	1010	1000	1620	900
Square Corner							
32"	24"	DSSM3224	290	450	490	690	430
32"	30"	DSSM3230	320	520	550	810	490
32"	36"	DSSM3236	350	590	610	930	550
32"	42"	DSSM3242	380	660	680	1040	620
32"	48"	DSSM3248	410	730	740	1160	670
32"	54"	DSSM3254	440	800	810	1270	730
32"	60"	DSSM3260	470	870	870	1390	780
32"	66"	DSSM3266	500	940	940	1510	840
32"	72"	DSSM3272	530	1010	1000	1620	900

Makr Privacy Screens

54" System Height with Modesty



Options / Notes:

Standard Fabric: Price based on Camira Rivet

Premium Fabric: Price Based on Camera Synergy 66

COM Fabric: Price will be determined based on specified fabric

Clamp on Brackets: Works on any surface less than 1.25" thick. Knife edge needs wood screws.

Footprint: Screens will add 1.5" in width and 2.25" in depth or width to the overall footprint of the desk

Dimensions

Screen Material

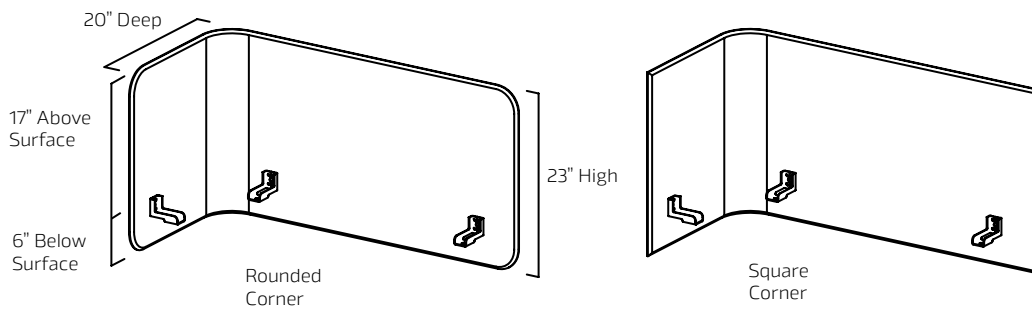
H	W	MODEL NUMBER	TFL	HPL/ Mirlux	Standrad Fabric	Premium Fabric	Frosted Acrylic
Rounded Corner							
38"	24"	DSRM3824	310	500	500	710	480
38"	30"	DSRM3830	350	590	570	830	550
38"	36"	DSRM3836	380	670	640	950	620
38"	42"	DSRM3842	420	750	710	1070	680
38"	48"	DSRM3848	450	830	780	1190	750
38"	54"	DSRM3854	490	920	850	1220	820
38"	60"	DSRM3860	520	1000	920	1440	890
38"	66"	DSRM3866	550	1080	990	1560	960
38"	72"	DSRM3872	590	1160	1050	1680	1020

Square Corner

38"	24"	DSSM3824	310	500	500	710	480
38"	30"	DSSM3830	350	590	570	830	550
38"	36"	DSSM3836	380	670	640	950	620
38"	42"	DSSM3842	420	750	710	1070	680
38"	48"	DSSM3848	450	830	780	1190	750
38"	54"	DSSM3854	490	920	850	1220	820
38"	60"	DSSM3860	520	1000	920	1440	890
38"	66"	DSSM3866	550	1080	990	1560	960
38"	72"	DSSM3872	590	1160	1050	1680	1020

Makr Privacy Screens

46" System Height Corner Screen



Options / Notes:

PET Material: PET is the only finish available for coner screens.

Non Handed: Screens are reversible and can be mounted on either sides of a surface

Footprint: Screens will add 1.5" in width and 1.5" in depth to the overall footprint of the desk

Dimensions

Screen Material

H	W	MODEL NUMBER	PET
Rounded Corner			
23"	24"	DSCRNM2324	900
23"	30"	DSCRNM2330	1400
23"	36"	DSCRNM2336	1400
23"	42"	DSCRNM2342	1400
23"	48"	DSCRNM2348	1400
23"	54"	DSCRNM2354	1400
23"	60"	DSCRNM2360	1400
23"	66"	DSCRNM2366	1400
23"	72"	DSCRNM2372	1400

Square Corner

23"	24"	DSCSNM2324	900
23"	30"	DSCSNM2330	1400
23"	36"	DSCSNM2336	1400
23"	42"	DSCSNM2342	1400
23"	48"	DSCSNM2348	1400
23"	54"	DSCSNM2354	1400
23"	60"	DSCSNM2360	1400
23"	66"	DSCSNM2366	1400
23"	72"	DSCSNM2372	1400

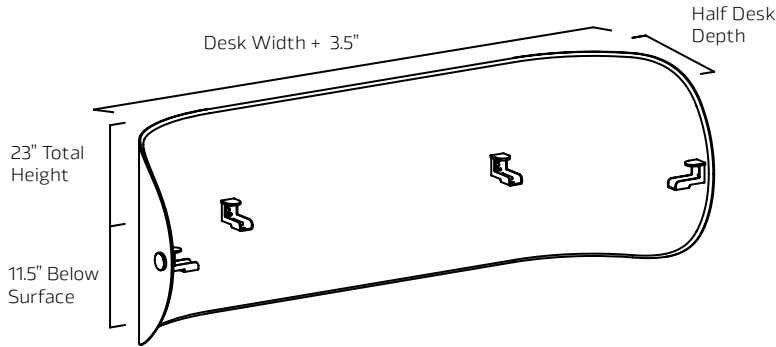
Makr Privacy Screens

Full Wrap Screen for Moment Racetrack Desk

Options / Notes:

PET Material: PET is the only finish available for coner screens.

Non Handed: The screens are symmetric.



IMPORTANT Please Read:

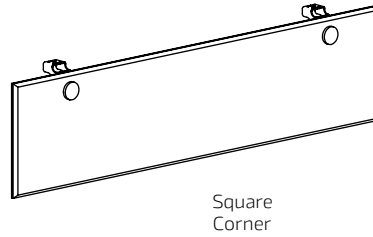
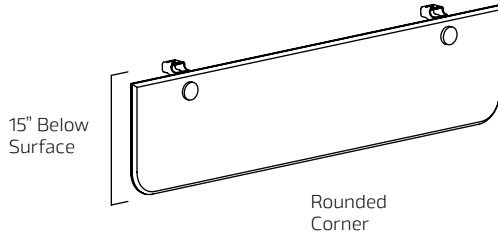
The screens are sized to work with the Moment Racetrack Desks. The dimensions shown below are for the desk that each screen accompanies, not the screen itself. The screen will add 3" in width (1.5" on each side) and 1.5" in depth to the overall footprint of the desk.

Dimensions

Screen Material

H	W	MODEL NUMBER	PET
	For Desk Width:		
12"	60"	DSFWM2324	1700
12"	72"	DSCRNM2330	1700
15"	60"	DSFWM2336	1700
15"	72"	DSFWM2342	1700
18"	60"	DSFWM2348	1700
18"	72"	DSFWM2354	1700

MOMENT Desk Modesty Screens 15"



Options / Notes:

Standard Fabric: Price based on Camira Rivet

Premium Fabric: Price Based on Camira Synergy 66

COM Fabric: Price will be determined based on specified fabric

Screw on Brackets: Wood screws allow the modesty panel to the underside of any wood surface.

Pendant Storage: 15" below surface modesties match Pencil Box and Pencil Open Pendant Storage. Square corner modesty should be used when matching modesty.

IMPORTANT Please Read:

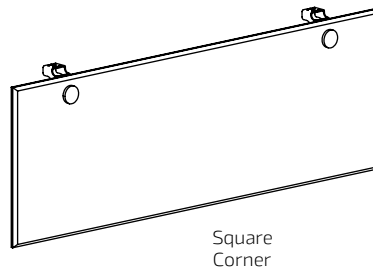
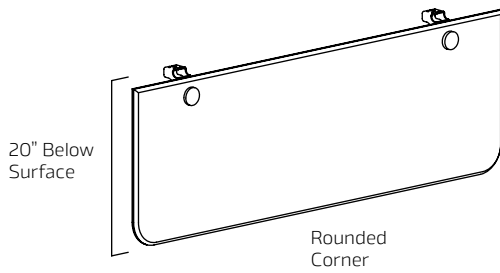
The width dimensions shown below are based on the width of the **MOMENT Desk** the modesty will be mounted to. The actual modesty screen is 9" (4.5" on each side) undersized to fit between the desk legs. Specify a 60" modesty panel for a 60" **MOMENT Desk**, but the actual modesty screen will be 51" wide.

Dimensions

Screen Material

H	W	MODEL NUMBER	TFL	HPL/ Mirlux	Standrad Fabric	Premium Fabric	Frosted Acrylic
Rounded Corner							
15"	48"	DMRNM1548	250	330	420	590	360
15"	54"	DMRNM1554	270	350	450	650	390
15"	60"	DMRNM1560	280	380	480	700	410
15"	66"	DMRNM1566	300	410	510	760	440
15"	72"	DMRNM1572	310	430	540	810	470
Square Corner							
15"	48"	DMSNM1548	250	330	420	590	360
15"	54"	DMSNM1554	270	350	450	650	390
15"	60"	DMSNM1560	280	380	480	700	410
15"	66"	DMSNM1566	300	410	510	760	440
15"	72"	DMSNM1572	310	430	540	810	470

MOMENT Desk Modesty Screens 20"



Options / Notes:

Standard Fabric: Price based on Camira Rivet

Premium Fabric: Price Based on Camira Synergy 66

COM Fabric: Price will be determined based on specified fabric

Screw on Brackets: Wood screws allow the modesty panel to the underside of any wood surface.

Pendant Storage: 20" below surface modesties match Pencil File Pendant Storage. Square corner modesty should be used when matching modesty.

IMPORTANT Please Read:

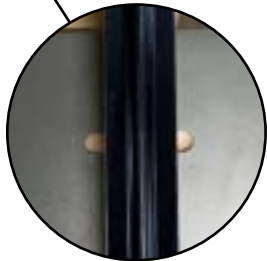
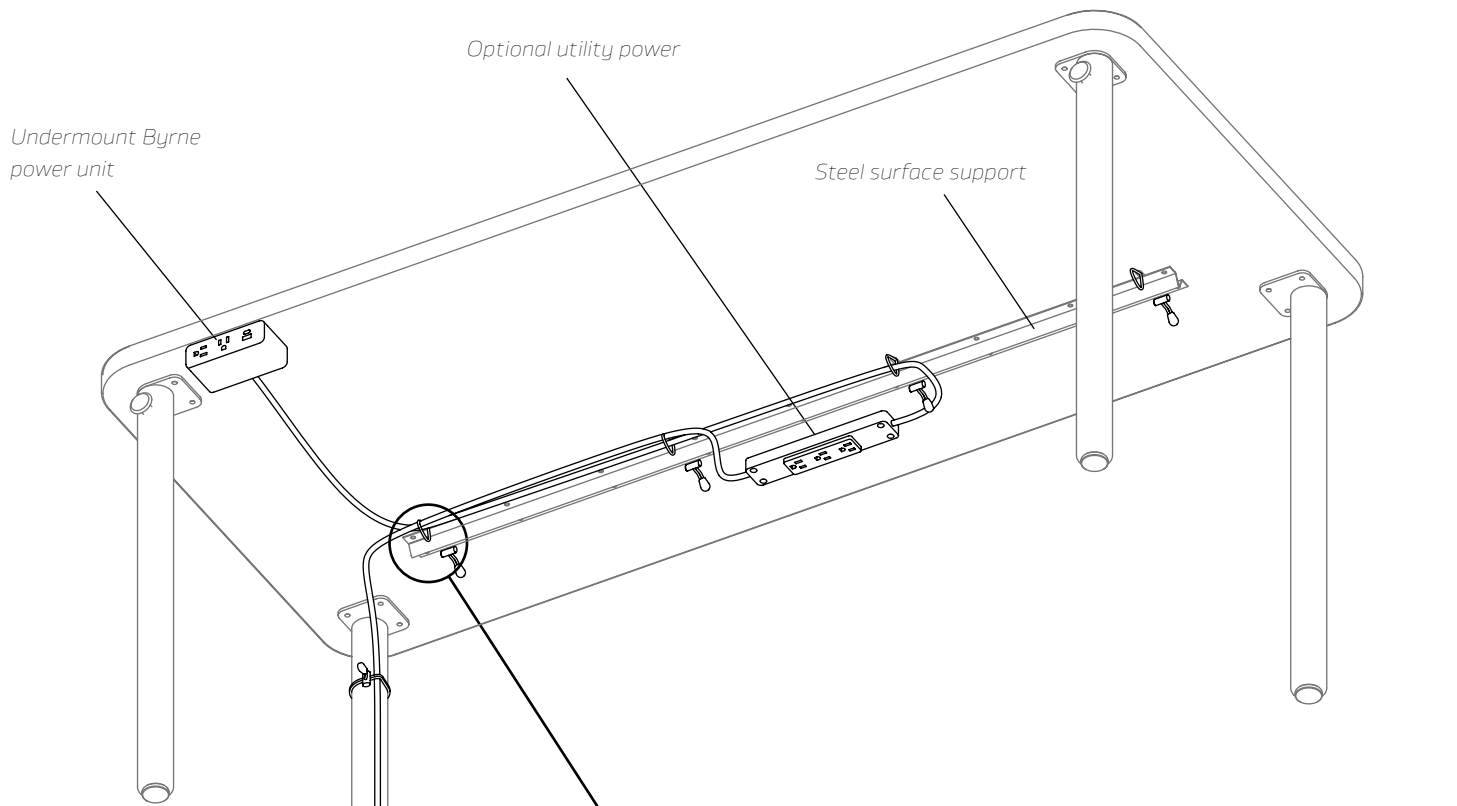
The width dimensions shown below are based on the width of the **MOMENT Desk** the modesty will be mounted to. The actual modesty screen is 9" (4.5" on each side) undersized to fit between the desk legs. Specify a 60" modesty panel for a 60" **MOMENT Desk**, but the actual modesty screen will be 51" wide.

Dimensions

Screen Material

H	W	MODEL NUMBER	TFL	HPL/ Mirlux	Standrad Fabric	Premium Fabric	Frosted Acrylic
Rounded Corner							
20"	48"	DMRNM2048	280	390	450	620	420
20"	54"	DMRNM2054	300	420	480	680	450
20"	60"	DMRNM2060	320	460	510	730	490
20"	66"	DMRNM2066	340	490	550	790	520
20"	72"	DMRNM2072	360	530	580	850	560
Square Corner							
20"	48"	DMSNM2048	280	390	450	620	420
20"	54"	DMSNM2054	300	420	480	680	450
20"	60"	DMSNM2060	320	460	510	730	490
20"	66"	DMSNM2066	340	490	550	790	520
20"	72"	DMSNM2072	360	530	580	850	560

MOMENT Desk Cable Management (stand alone power)



There are slots routed between the surface and the wood frame.



Bungee cords can be fed through these slots.



These bungee cords can be used to manage cables under the surface.



Adjustable bungee cords offer user configurable cable management down any table leg

Standard on all tables:

Under Surface Cable Bungee

4x

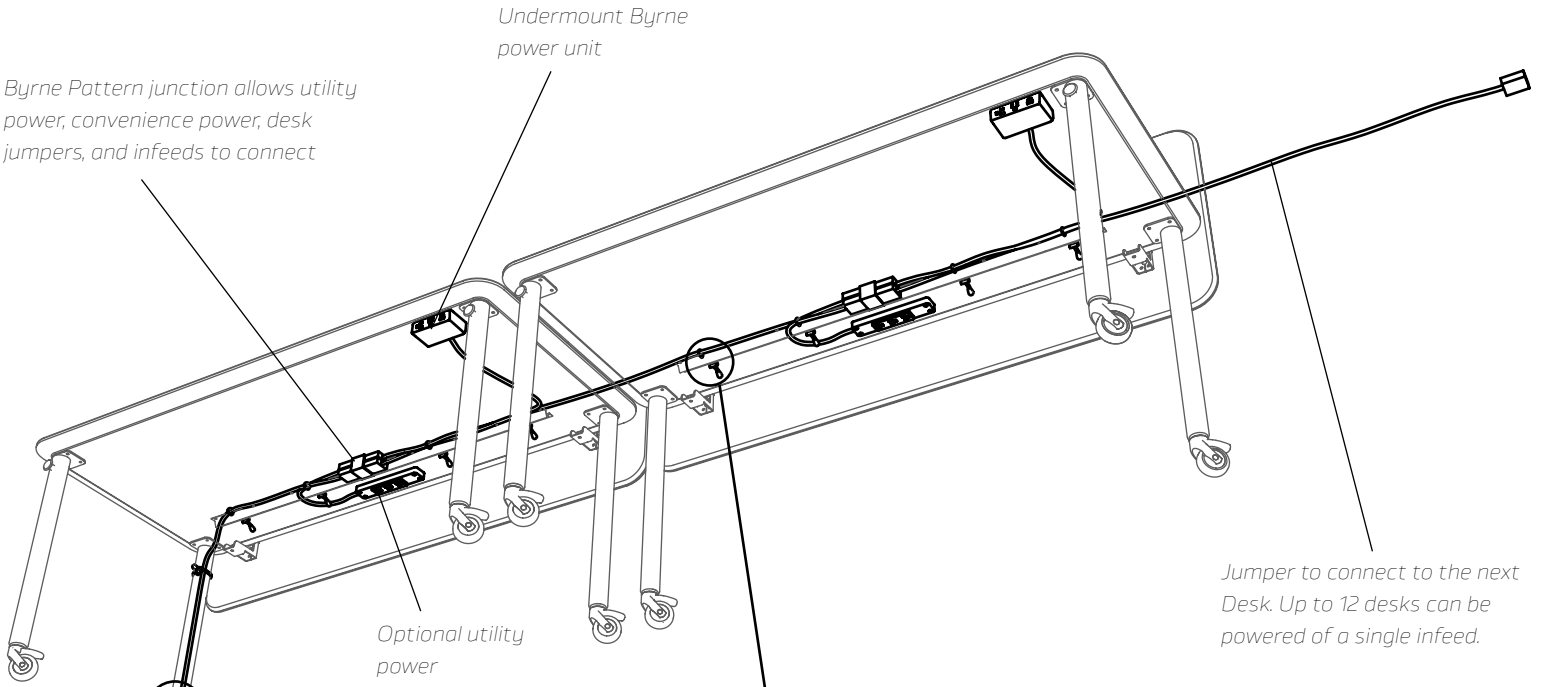


Leg Cable Bungee

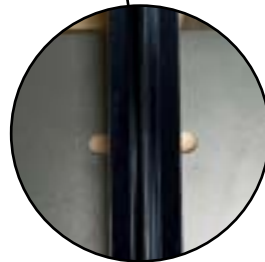
2x



MOMENT Desk Cable Management (systems power)



10' Power infeed. 20 amp head or hardwire whip options



There are slots routed between the surface and the wood frame.



Bungee cords can be fed through these slots.



These bungee cords can be used to manage cables under the surface.



Adjustable bungee cords offer user configurable cable management down any table leg

Standard on all tables:

Under Surface Cable Bungie

4x



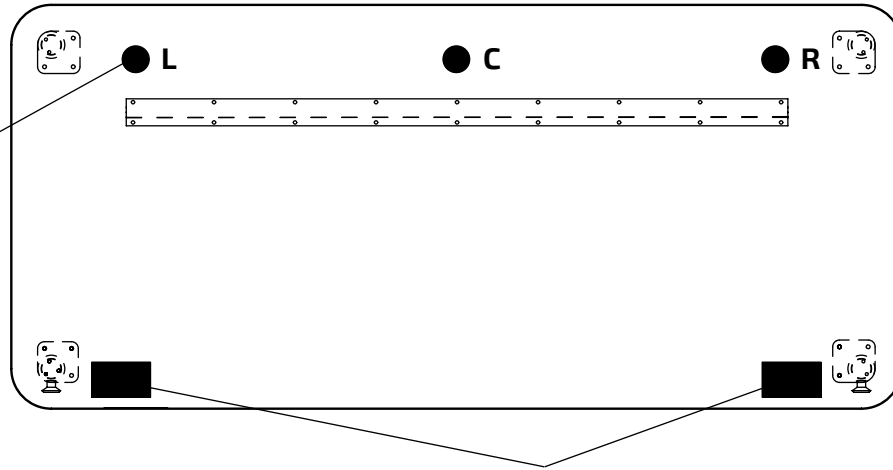
Leg Cable Bungie

2x



MOMENT Teacher Desk Power Placement

Clamp on power units can be placed anywhere along the back edge of the desk



Grommets can be specified on the left, center, or right side of the desk

Under mount power units can be mounted specified for the right or left side of the desk

+\$55 list per grommet.

MOMENT Teacher Desk Power Placement

Notes:

A Hydraplex configuration comes with a 3 port inline utility power unit that is mounted under the surface of the desk. This utility power unit shares the same power cord as the main user convenience power unit. This means a single cord powers both units.

The Pattern option comes with a pattern compatible power unit, a junction block, and a jumper cable 84" in length that connects to the next desk (up to 12). An optional under surface 3 port utility power can be specified that connects to the same junction block. A single infeed must be specified per pod of desks.

Options:




Braided Infeed Cord: +\$100

Hardwired Infeed: +\$200

Utility power: +\$200

Pattern Infeed: +\$320

Finish option on Byrne website.
Select finishes may add extra cost.
Select finishes may add extra cost.

Power Unit	Description	Stand alone	Stand alone Hydraplex	Pattern
Built in 100 Watt USB C	4 port: 1 port per leg	700	NA	990
	<i>This power solution is proprietary to Makr Furniture and the Moment Desks. It integrates a 100-Watt USB C charging port into the front two desk legs. This is enough power to charge devices ranging from cell phones to full sized laptops. In addition to power, hardware data, peripherals, and displays can pass through these ports with the use of data Hubs. Makr can work with your technology needs to help specify the proper Hub for your application. A data hub is not included in this price. The standalone solution comes with a power supply that can be plugged into a wall outlet. The pattern solution comes with a 3-port utility power strip that is connected to a pattern junction block. The USB C power supply occupies one of these three ports, leaving two open for the end user.</i>			
Finch Undermount	 3 port: 2 PWR / USB A + C	425	940	940
Finch Edgemount	 3 port: 2 PWR / USB A + C	425	940	940
Dean Undermount	3 port: 3 PWR	350	750	940
	3 port: 2 PWR / 1 USB A + C	475	750	940
Dean Edgemount	3 port: 3 PWR	350	750	940
	3 port: 2 PWR / 1 USB A + C	475	750	940