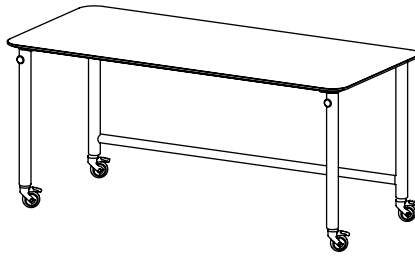
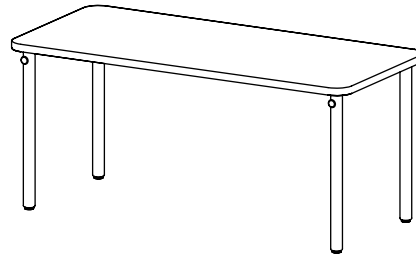


MOMENT Desk



Footbar, casters, knife edge



90 edge

Options / Notes:

Casters: +\$115 (height not altered)

Grommets: +\$70

Desk Height: 29.5" / 36" / 42"+\$260

***Footbar Required on 42" Tall Desks**

TFL Edge: edgeband ONLY

HPL Edge: edgeband / MDF 90 /

MDF Knife / MDF trim

PLY Edge: PLY 90 / PLY knife

Bag hooks standard on all desks

Under Surface Cable Cover: +\$780

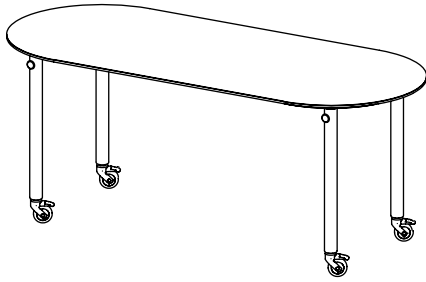
Dimensions

Surface Material

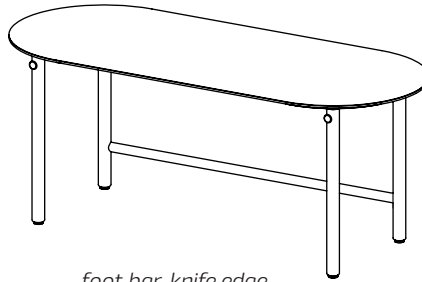
Footbar

D	W	MODEL NUMBER	Surface Material			TYPE A
			TFL	HPL	PLY	
24"	48"	MD2448	1505	1805	2130	+365
24"	54"	MD2454	1520	1855	2425	+390
24"	60"	MD2460	1545	1920	2440	+425
24"	66"	MD2466	1595	1985	2405	+450
24"	72"	MD2472	1620	2040	2480	+485
30"	48"	MD3048	1560	1910	2275	+365
30"	54"	MD3054	1595	1975	2395	+390
30"	60"	MD3060	1620	2050	2495	+425
30"	66"	MD3066	1660	2115	2605	+450
30"	72"	MD3072	1685	2195	2715	+485
36"	48"	MD3648	1560	1910	2275	+365
36"	54"	MD3654	1595	1975	2395	+390
36"	60"	MD3660	1620	2050	2495	+425
36"	66"	MD3666	1660	2115	2605	+450
36"	72"	MD3672	1685	2195	2715	+485

MOMENT Racetrack Desk



casters, knife edge



foot bar, knife edge

Options / Notes:

Casters: +\$115 (height not altered)

Grommets: +\$70

Desk Height: 29.5" / 36" / 42"+\$260

***Footbar Required on 42" Tall Desks**

TFL Edge: edgeband ONLY

HPL Edge: edgeband / MDF 90 /

MDF Knife / MDF trim

PLY Edge: PLY 90 / PLY knife

Bag hooks standard on all desks

Under Surface Cable Cover: +\$780

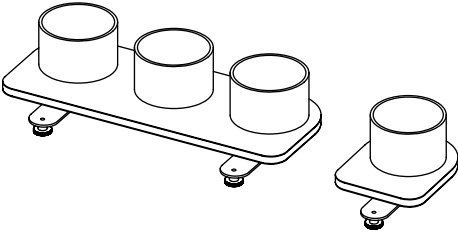
Dimensions

Surface Material

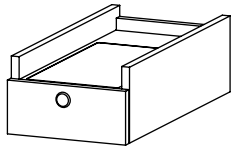
Footbar

D	W	MODEL NUMBER	Surface Material			TYPE A
			TFL	HPL	PLY	
24"	60"	MDO2460	1575	1950	2470	+425
24"	72"	MDO2472	1650	2070	2510	+485
30"	60"	MDO3060	1650	2080	2525	+425
30"	72"	MDO3072	1715	2225	2745	+485
36"	60"	MDO3660	1650	2080	2525	+425
36"	72"	MDO3672	1715	2225	2745	+485

MOMENT Desk Accessories

	D	W	H	MODEL NUMBER	Price
Planters	Single				
	12"	9"	9"	MTAPL1	320
	Triple				
	12"	24"	9"	MTAPL3	580

Pendant Storage

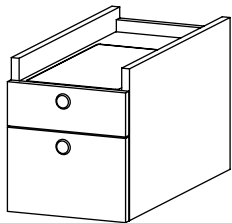


Pencil for 24" deep desk

20" 12" 7" **MTDPP24** 710

Pencil for 30" deep desk

26" 12" 7" **MTDPP30** 840

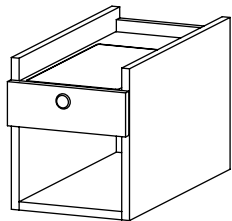


Pencil + Box for 24" deep desk

20" 12" 7" **MTDPPB24** 910

Pencil + Box for 30" deep desk

26" 12" 7" **MTDPPB30** 1040

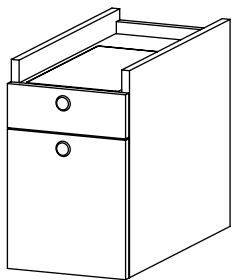


Pencil + Open for 24" deep desk

20" 12" 7" **MTDPP024** 780

Pencil + Open for 30" deep desk

26" 12" 7" **MTDPP030** 910



Pencil + File for 24" deep desk

20" 12" 7" **MTDPPF24** 970

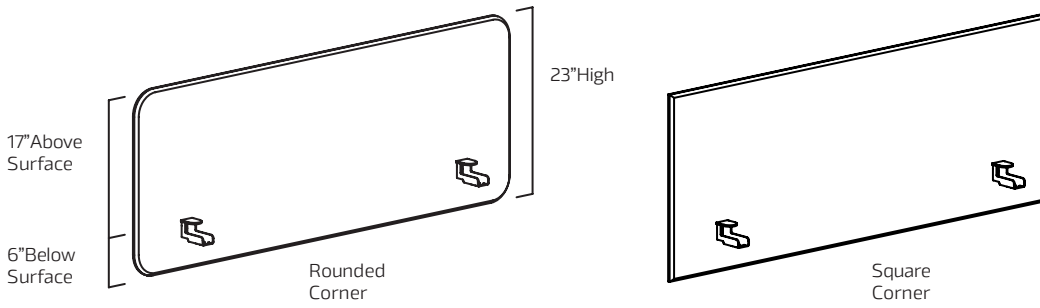
Pencil + File for 30" deep desk

26" 12" 7" **MTDPPF30** 1100

Pendant storage can be specified on the right, left, or on both sides of the Moment Teacher Desk

Makr Privacy Screens

46" System Height no Modesty



Options / Notes:

Standard Fabric: Price based on Camira Rivet

Premium Fabric: Price Based on Camera Synergy 66

COM Fabric: Price will be determined based on specified fabric

Clamp on Brackets: Works on any surface less than 1.25" thick. Knife edge needs wood screws.

Footprint: Screens will add 1.5" in width and 2.25" in depth or width to the overall footprint of the desk

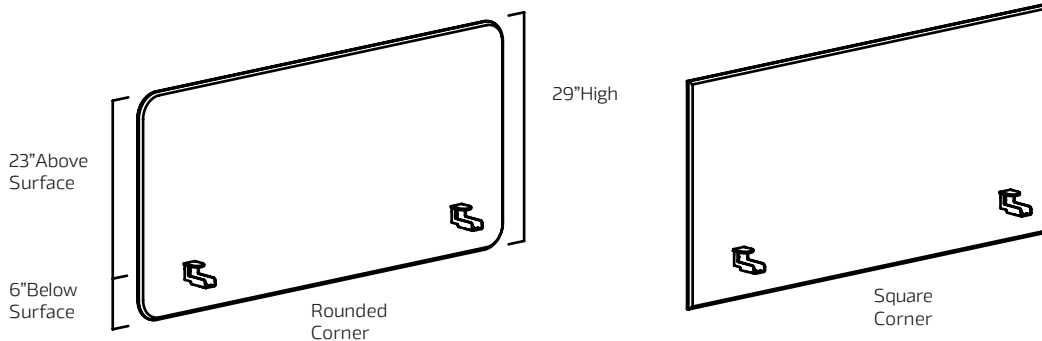
Dimensions

Screen Material

H	W	MODEL NUMBER	TFL	HPL/ Mirlux	Standard Fabric	Premium Fabric	Frosted Acrylic
Rounded Corner							
23"	24"	DSRNM2324	320	485	485	625	485
23"	30"	DSRNM2330	365	545	540	740	540
23"	36"	DSRNM2336	390	710	580	790	580
23"	42"	DSRNM2342	425	685	640	885	650
23"	48"	DSRNM2348	450	755	685	960	700
23"	54"	DSRNM2354	485	815	725	1040	755
23"	60"	DSRNM2360	510	885	780	1115	815
23"	66"	DSRNM2366	545	945	830	1205	870
23"	72"	DSRNM2372	570	1030	885	1290	935
Square Corner							
23"	24"	DSSNM2324	320	485	485	625	485
23"	30"	DSSNM2330	365	545	540	740	540
23"	36"	DSSNM2336	390	710	580	790	580
23"	42"	DSSNM2342	425	685	640	885	650
23"	48"	DSSNM2348	450	755	685	960	700
23"	54"	DSSNM2354	485	815	725	1040	755
23"	60"	DSSNM2360	510	885	780	1115	815
23"	66"	DSSNM2366	545	945	830	1205	870
23"	72"	DSSNM2372	570	1030	885	1290	935

Makr Privacy Screens

52" System Height no Modesty



Options / Notes:

Standard Fabric: Price based on Camira Rivet

Premium Fabric: Price Based on Camera Synergy 66

COM Fabric: Price will be determined based on specified fabric

Clamp on Brackets: Works on any surface less than 1.25" thick. Knife edge needs wood screws.

Footprint: Screens will add 1.5" in width and 2.25" in depth or width to the overall footprint of the desk

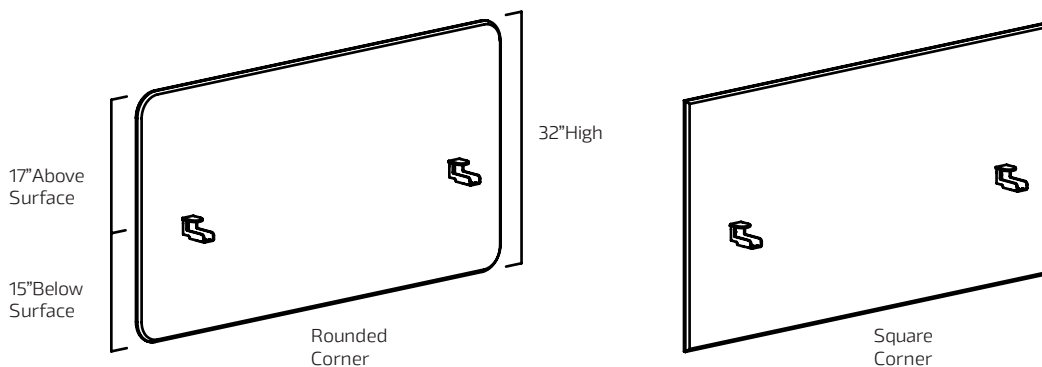
Dimensions

Screen Material

H	W	MODEL NUMBER	TFL	HPL/ Mirlux	Standard Fabric	Premium Fabric	Frosted Acrylic
Rounded Corner							
29"	24"	DSRNM2924	365	545	625	650	530
29"	30"	DSRNM2930	400	710	700	740	595
29"	36"	DSRNM2936	425	770	780	830	675
29"	42"	DSRNM2942	465	965	855	910	740
29"	48"	DSRNM2948	510	1060	935	1000	815
29"	54"	DSRNM2954	545	1160	1030	1090	885
29"	60"	DSRNM2960	570	1260	1100	1180	945
29"	66"	DSRNM2966	615	1270	1180	1350	1030
29"	72"	DSRNM2972	650	1465	1260	1355	1090
Square Corner							
29"	24"	DSSNM2924	365	545	625	650	530
29"	30"	DSSNM2930	400	710	700	740	595
29"	36"	DSSNM2936	425	770	780	830	675
29"	42"	DSSNM2942	465	965	855	910	740
29"	48"	DSSNM2948	510	1060	935	1000	815
29"	54"	DSSNM2954	545	1160	1030	1090	885
29"	60"	DSSNM2960	570	1260	1100	1180	945
29"	66"	DSSNM2966	615	1270	1180	1350	1030
29"	72"	DSSNM2972	650	1465	1260	1355	1090

Makr Privacy Screens

46" System Height with Modesty



Options / Notes:

Standard Fabric: Price based on Camira Rivet

Premium Fabric: Price Based on Camira Synergy 66

COM Fabric: Price will be determined based on specified fabric

Clamp on Brackets: Works on any surface less than 1.25" thick. Knife edge needs wood screws.

Footprint: Screens will add 1.5" in width and 2.25" in depth or width to the overall footprint of the desk

Dimensions

Screen Material

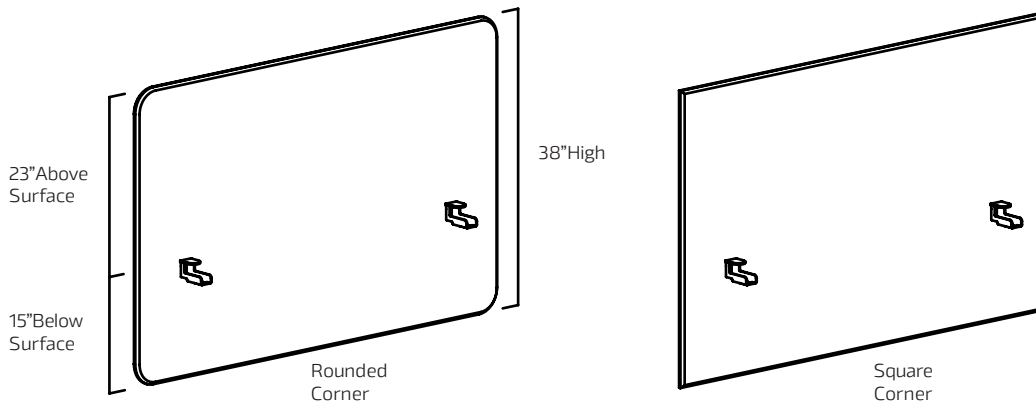
H	W	MODEL NUMBER	TFL	HPL/ Mirlux	Standard Fabric	Premium Fabric	Frosted Acrylic
Rounded Corner							
32"	24"	DSRM3224	380	580	640	900	555
32"	30"	DSRM3230	410	675	710	1050	640
32"	36"	DSRM3236	450	770	790	1205	710
32"	42"	DSRM3242	495	855	885	1350	805
32"	48"	DSRM3248	530	945	960	1505	870
32"	54"	DSRM3254	570	1040	1050	1650	945
32"	60"	DSRM3260	615	1130	1130	1805	1010
32"	66"	DSRM3266	650	1220	1220	1955	1090
32"	72"	DSRM3272	685	1310	1300	2105	1170

Square Corner

32"	24"	DSSM3224	380	580	640	900	555
32"	30"	DSSM3230	410	675	710	1050	640
32"	36"	DSSM3236	450	770	790	1205	710
32"	42"	DSSM3242	495	855	885	1350	805
32"	48"	DSSM3248	530	945	960	1505	870
32"	54"	DSSM3254	570	1040	1050	1650	945
32"	60"	DSSM3260	615	1130	1130	1805	1010
32"	66"	DSSM3266	650	1220	1220	1955	1090
32"	72"	DSSM3272	685	1310	1300	2105	1170

Makr Privacy Screens

54" System Height with Modesty



Options / Notes:

Standard Fabric: Price based on Camira Rivet

Premium Fabric: Price Based on Cameria Synergy 66

COM Fabric: Price will be determined based on specified fabric

Clamp on Brackets: Works on any surface less than 1.25" thick. Knife edge needs wood screws.

Footprint: Screens will add 1.5" in width and 2.25" in depth or width to the overall footprint of the desk

Dimensions

Screen Material

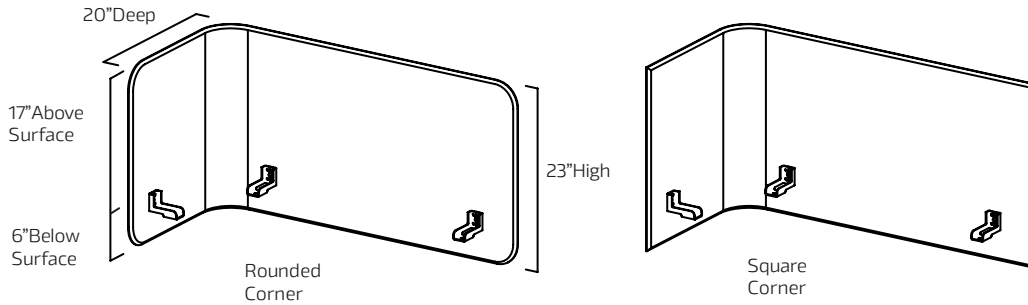
H	W	MODEL NUMBER	TFL	HPL/ Mirlux	Standard Fabric	Premium Fabric	Frosted Acrylic
Rounded Corner							
38"	24"	DSRM3824	400	650	650	920	625
38"	30"	DSRM3830	450	770	740	1075	710
38"	36"	DSRM3836	495	870	830	1230	805
38"	42"	DSRM3842	545	970	920	1390	885
38"	48"	DSRM3848	580	1075	1010	1545	970
38"	54"	DSRM3854	640	1195	1100	1585	1065
38"	60"	DSRM3860	675	1300	1195	1870	1160
38"	66"	DSRM3866	710	1400	1290	2025	1245
38"	72"	DSRM3872	770	1505	1360	2180	1325

Square Corner

38"	24"	DSSM3824	400	650	650	920	625
38"	30"	DSSM3830	450	770	740	1075	710
38"	36"	DSSM3836	495	870	830	1230	805
38"	42"	DSSM3842	545	970	920	1390	885
38"	48"	DSSM3848	580	1075	1010	1545	970
38"	54"	DSSM3854	640	1195	1100	1585	1065
38"	60"	DSSM3860	675	1300	1195	1870	1160
38"	66"	DSSM3866	710	1400	1290	2025	1245
38"	72"	DSSM3872	770	1505	1360	2180	1325

Makr Privacy Screens

46" System Height Corner Screen



Options / Notes:

PET Material: PET is the only finish available for corner screens.

Non Handed: Screens are reversible and can be mounted on either sides of a surface

Footprint: Screens will add 1.5" in width and 1.5" in depth to the overall footprint of the desk

Dimensions

Screen Material

H	W	MODEL NUMBER	PET
Rounded Corner			
23"	24"	DSCRNM2324	1170
23"	30"	DSCRNM2330	1815
23"	36"	DSCRNM2336	1815
23"	42"	DSCRNM2342	1815
23"	48"	DSCRNM2348	1815
23"	54"	DSCRNM2354	1815
23"	60"	DSCRNM2360	1815
23"	66"	DSCRNM2366	1815
23"	72"	DSCRNM2372	1815
Square Corner			
23"	24"	DSCSNM2324	1170
23"	30"	DSCSNM2330	1815
23"	36"	DSCSNM2336	1815
23"	42"	DSCSNM2342	1815
23"	48"	DSCSNM2348	1815
23"	54"	DSCSNM2354	1815
23"	60"	DSCSNM2360	1815
23"	66"	DSCSNM2366	1815
23"	72"	DSCSNM2372	1815

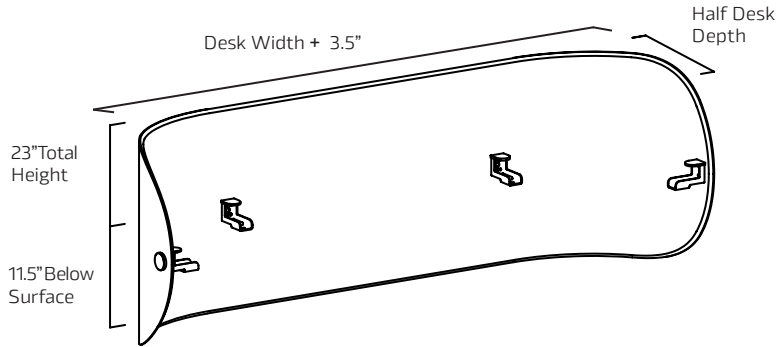
Makr Privacy Screens

Full Wrap Screen for Moment Racetrack Desk

Options / Notes:

PET Material: PET is the only finish available for corner screens.

Non Handed: The screens are symmetric.



IMPORTANT Please Read:

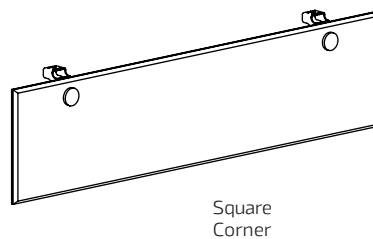
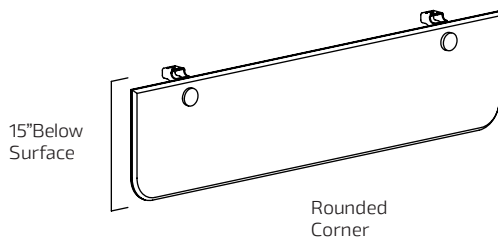
The screens are sized to work with the Moment Racetrack Desks. The dimensions shown below are for the desk that each screen accompanies, not the screen itself. The screen will add 3" in width (1.5" on each side) and 1.5" in depth to the overall footprint of the desk.

Dimensions

Screen Material

H	W	MODEL NUMBER	PET
	For Desk Width:		
12"	60"	DSFWM1260	2205
12"	72"	DSFWM1272	2205
15"	60"	DSFWM1560	2205
15"	72"	DSFWM1572	2205
18"	60"	DSFWM1860	2205
18"	72"	DSFWM1872	2205

MOMENT Desk Modesty Screens 15"



Options / Notes:

Standard Fabric: Price based on Camira Rivet

Premium Fabric: Price Based on Camira Synergy 66

COM Fabric: Price will be determined based on specified fabric

Screw on Brackets: Wood screws allow the modesty panel to the underside of any wood surface.

Pendant Storage: 15" below surface modesties match Pencil Box and Pencil Open Pendant Storage. Square corner modesty should be used when matching modesty.

IMPORTANT Please Read:

The width dimensions shown below are based on the width of the MOMENT Desk the modesty will be mounted to. The actual modesty screen is 9" (4.5" on each side) undersized to fit between the desk legs. Specify a 60" modesty panel for a 60" MOMENT Desk, but the actual modesty screen will be 51" wide.

Dimensions

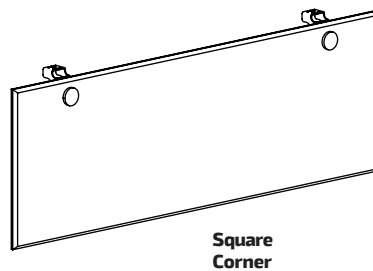
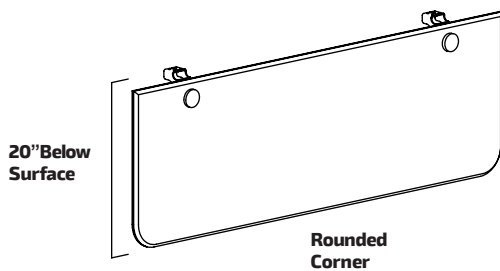
Screen Material

H	W	MODEL NUMBER	TFL	HPL/ Mirlux	Standard Fabric	Premium Fabric	Frosted Acrylic
Rounded Corner							
15"	48"	DMRNM1548	320	425	545	770	465
15"	54"	DMRNM1554	355	450	580	840	510
15"	60"	DMRNM1560	380	495	625	910	530
15"	66"	DMRNM1566	390	530	660	985	570
15"	72"	DMRNM1572	400	555	700	1050	615

Square Corner

15"	48"	DMSNM1548	320	425	545	770	465
15"	54"	DMSNM1554	355	450	580	840	510
15"	60"	DMSNM1560	380	495	625	910	530
15"	66"	DMSNM1566	390	530	660	985	570
15"	72"	DMSNM1572	400	555	700	1050	615

MOMENT Desk Modesty Screens 20"



Options / Notes:

Standard Fabric: Price based on Camira Rivet

Premium Fabric: Price Based on Camira Synergy 66

COM Fabric: Price will be determined based on specified fabric

Screw on Brackets: Wood screws allow the modesty panel to the underside of any wood surface.

Pendant Storage: 20" below surface modesties match Pencil File Pendant Storage. Square corner modesty should be used when matching modesty.

IMPORTANT Please Read:

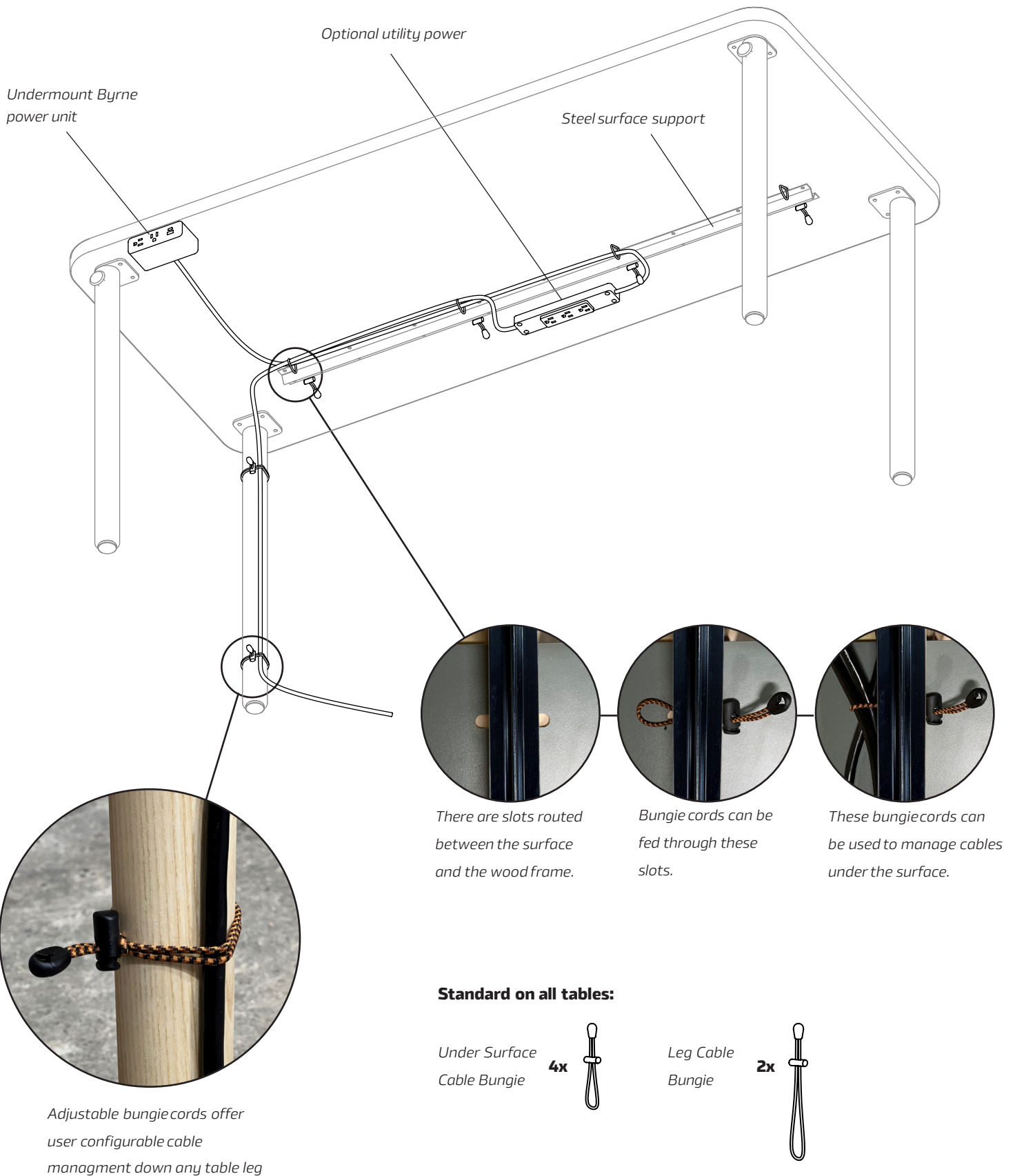
The width dimensions shown below are based on the width of the MOMENT Desk the modesty will be mounted to. The actual modesty screen is 9" (4.5" on each side) undersized to fit between the desk legs. Specify a 60" modesty panel for a 60" MOMENT Desk, but the actual modesty screen will be 51" wide.

Dimensions

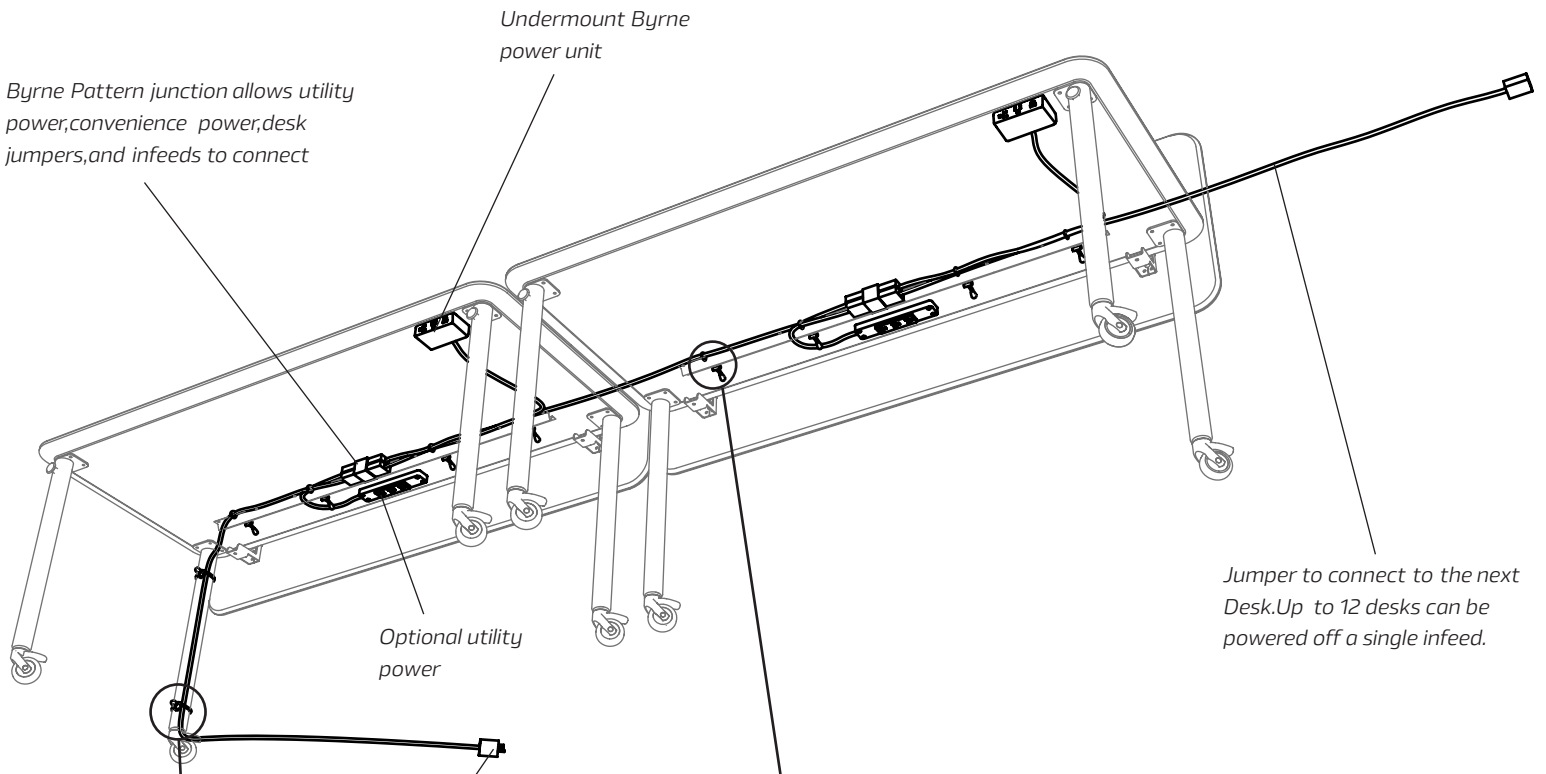
Screen Material

H	W	MODEL NUMBER	TFL	HPL/ Mirlux	Standard Fabric	Premium Fabric	Frosted Acrylic
Rounded Corner							
20"	48"	DMRNM2048	365	510	580	805	545
20"	54"	DMRNM2054	390	545	625	885	580
20"	60"	DMRNM2060	415	595	660	945	640
20"	66"	DMRNM2066	440	640	710	1030	675
20"	72"	DMRNM2072	465	685	755	1100	725
Square Corner							
20"	48"	DMSNM2048	365	510	580	805	545
20"	54"	DMSNM2054	390	545	625	885	580
20"	60"	DMSNM2060	415	595	660	945	640
20"	66"	DMSNM2066	440	640	710	1030	675
20"	72"	DMSNM2072	465	685	755	1100	725

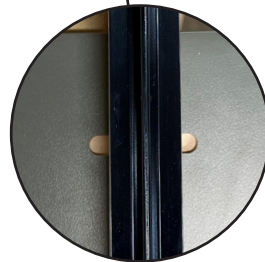
MOMENT Desk Cable Management (stand alone power)



MOMENT Desk Cable Management (systems power)



10' Power infeed. 20 amp head or hardwire whip options



There are slots routed between the surface and the wood frame.



Bungee cords can be fed through these slots.



These bungee cords can be used to manage cables under the surface.



Adjustable bungee cords offer user configurable cable management down any table leg

Standard on all tables:

Under Surface Cable Bungie

4x



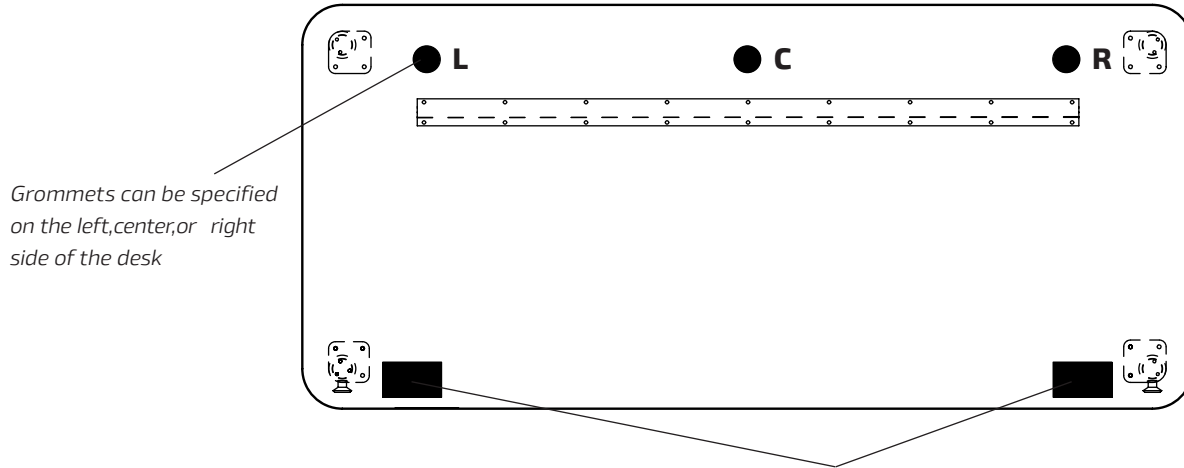
Leg Cable Bungie

2x



MOMENT Teacher Desk Power Placement

Clamp on power units can be placed anywhere along the back edge of the desk



Grommets can be specified on the left, center, or right side of the desk

Under mount power units can be mounted specified for the right or left side of the desk

+\$70 list per grommet.

MOMENT Teacher Desk Power Placement

Notes:

A Hydraplex configuration comes with a 3 port inline utility power unit that is mounted under the surface of the desk. This utility power unit shares the same power cord as the main user convenience power unit. This means a single cord powers both units.

The Pattern option comes with a pattern compatible power unit, a junction block, and a jumper cable 84" in length that connects to the next desk (up to 12). An optional under surface 3 port utility power can be specified that connects to the same junction block. A single infeed must be specified per pod of desks.

Options:

Braided Infeed Cord: +\$130

Hardwired Infeed: +\$260






Utility power: +\$260

Pattern Infeed: +\$415

Finish option on Byrne website.

Select finishes may add extra cost.

Select finishes may add extra cost.

Power Unit	Description	Stand alone	Stand alone Hydraplex	Pattern
Built in 100 Watt USB C	4 port: 1 port per leg	910	NA	1290
	This power solution is proprietary to Makr Furniture and the Moment Desks. It integrates a 100-Watt USB C charging port into the front two desk legs. This is enough power to charge devices ranging from cell phones to full sized laptops. In addition to power, hardware data, peripherals, and displays can pass through these ports with the use of data Hubs. Makr can work with your technology needs to help specify the proper Hub for your application. A data hub is not included in this price. The standalone solution comes with a power supply that can be plugged into a wall outlet. The pattern solution comes with a 3-port utility power strip that is connected to a pattern junction block. The USB C power supply occupies one of these three ports, leaving two open for the end user.			
Finch Undermount	 3 port: 2 PWR / USB A + C	550	1220	1290
Finch Edgemount	 3 port: 2 PWR / USB A + C	550	1220	1220
Dean Undermount	 3 port: 3 PWR	450	970	1220
	3 port: 2 PWR / 1 USB A + C	620	970	1220
Dean Edgemount	 3 port: 3 PWR	450	970	1220
	3 port: 2 PWR / 1 USB A + C	620	970	1220