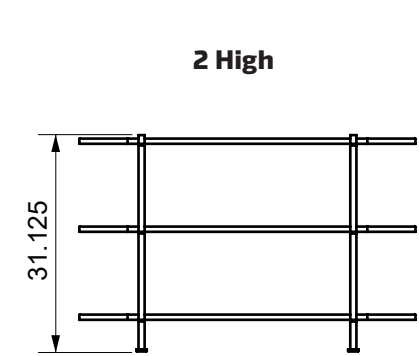
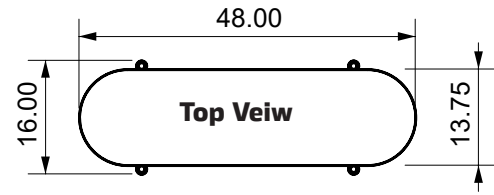


# Standard Atoll Sizing/ List Pricing

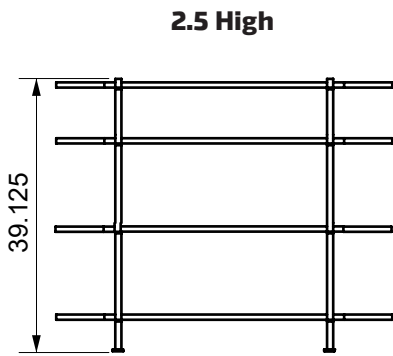
**Casters:** +\$145 List  
**Locks** +\$105 List

We recomend shelving taller than 4 high has at 2 high or taller back panel for added stability.

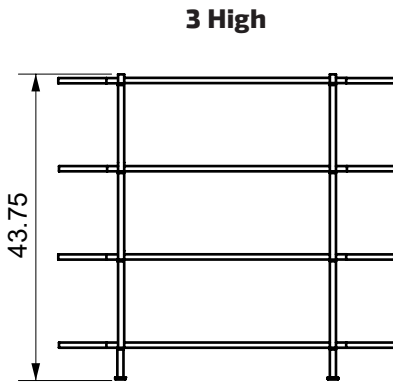
## Standard Heights



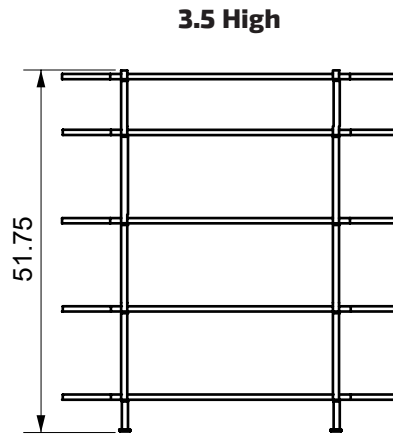
TFL - \$895 List  
 HPL - \$1,215 List  
 Veneer - \$1,215 List



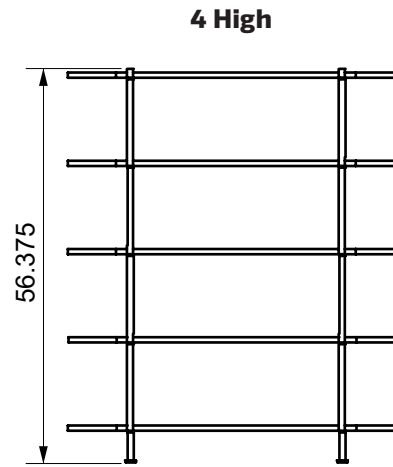
TFL - \$1,245 List  
 HPL - \$1,680 List  
 Veneer - \$1,680 List



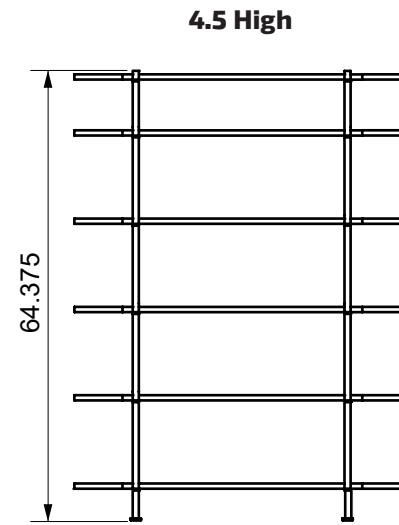
TFL - \$1,245 List  
 HPL - \$1,680 List  
 Veneer - \$1,680 List



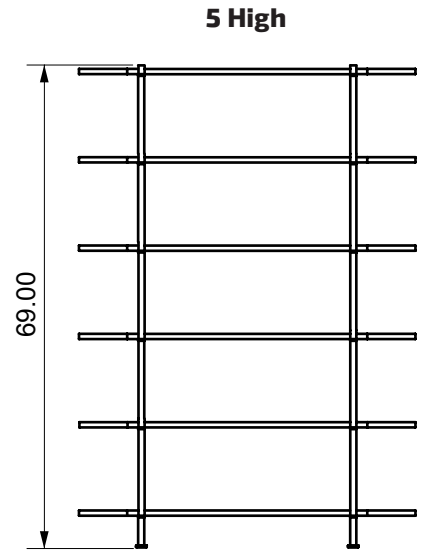
TFL - \$1,595 List  
 HPL - \$2,145 List  
 Veneer - \$2,145 List



TFL - \$1,595 List  
 HPL - \$2,145 List  
 Veneer - \$2,145 List

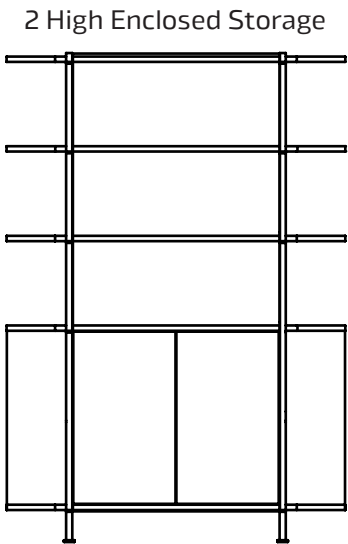


TFL - \$1,945 List  
 HPL - \$2,610 List  
 Veneer - \$2,610 List



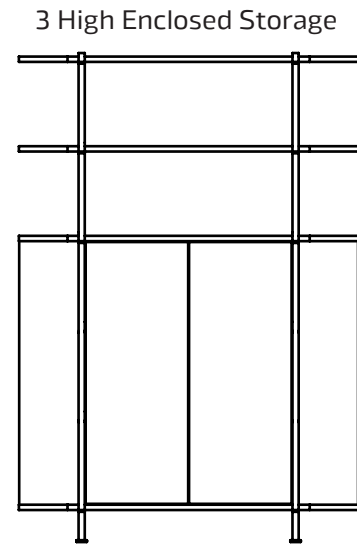
TFL - \$1,945 List  
 HPL - \$2,610 List  
 Veneer - \$2,610 List

## Enclosed Storage



Hutch Storage with 1 adjustable shelf, 2 lockers, or recycle center.

**2 High ADD:**  
 HPL +\$1,440 List  
 Veneer +\$1,995 List

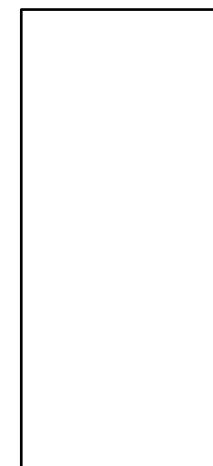


Hutch Storage with 2 adjustable shelf or 2 lockers.

**3 High ADD:**  
 HPL +\$2,160 List  
 Veneer +\$2,945 List

Choose a standard shelf taller than the enclosed section and it will replace the lower shelves.

## Back Panels



30" Wide to fit between posts.

	TFL	Whiteboard/ HPL/Fabric	Monitor Mount
<b>Less than 3.5 High</b>	\$435 List	\$795 List	
<b>More than 3.5 High</b>	\$870 List	\$1,590 List	+\$690 List

Back panels can be added to enclosed storage. They will occupy the full height of the unit and act as the back wall of the enclosed storage. Use the pricing for 3.5 High or less when adding back panels to enclosed storage.