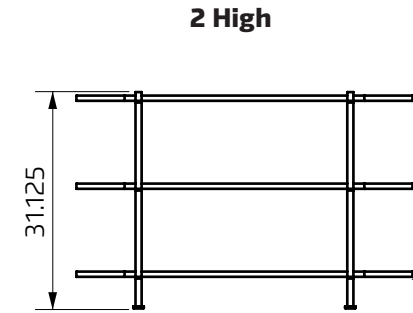
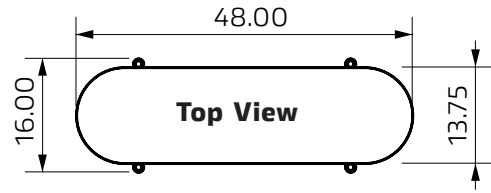


Standard Atoll Sizing/ List Pricing

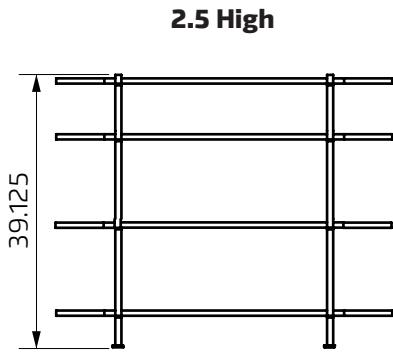
Casters: +\$155 List
Locks: +\$115 List

We recommend shelving taller than 4 high has a 2 high or taller back panel for added stability.

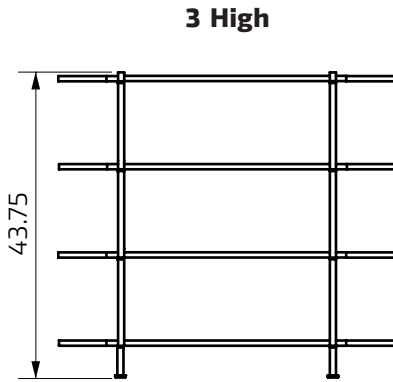
Standard Heights



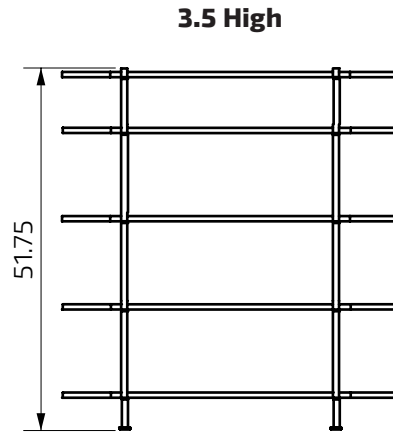
TFL - \$965 List
 HPL - \$1,315 List
 Veneer - \$1,315 List



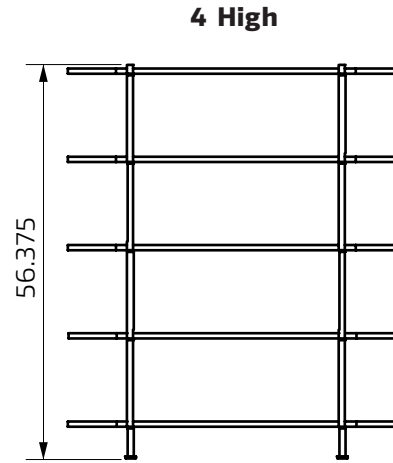
TFL - \$1,345 List
 HPL - \$1,815 List
 Veneer - \$1,815 List



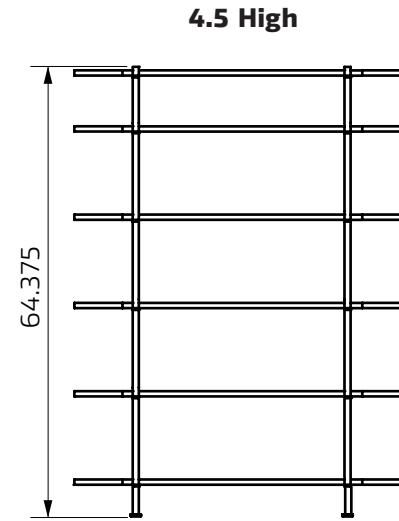
TFL - \$1,345 List
 HPL - \$1,815 List
 Veneer - \$1,815 List



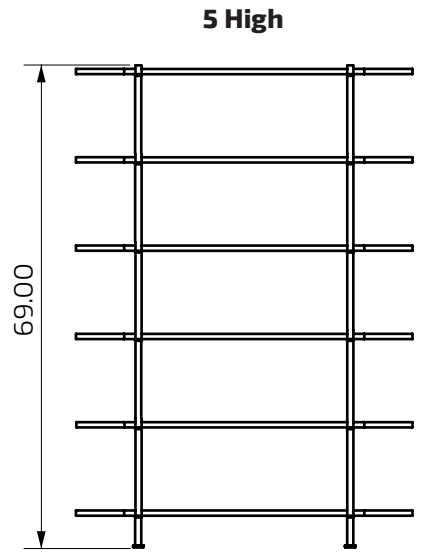
TFL - \$1,725 List
 HPL - \$2,415 List
 Veneer - \$2,415 List



TFL - \$1,725 List
 HPL - \$2,415 List
 Veneer - \$2,415 List



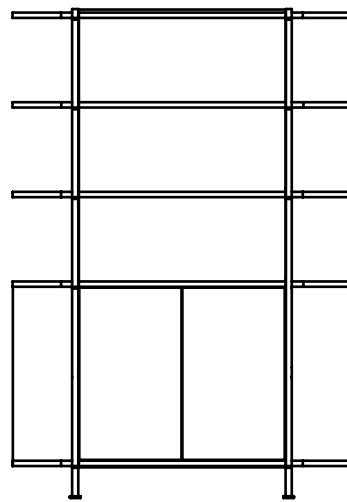
TFL - \$2,105 List
 HPL - \$2,825 List
 Veneer - \$2,825 List



TFL - \$2,105 List
 HPL - \$2,825 List
 Veneer - \$2,825 List

Enclosed Storage

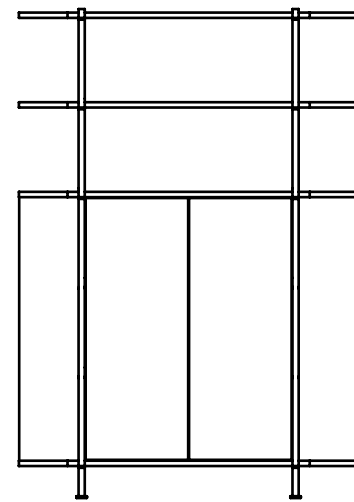
2 High Enclosed Storage



Hutch Storage with 1 adjustable shelf, 2 lockers, or recycle center.

2 High ADD:
 HPL +\$1,560 List
 Veneer +\$2,160 List

3 High Enclosed Storage

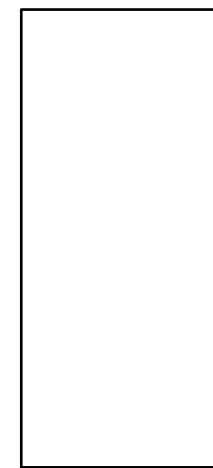


Hutch Storage with 2 adjustable shelf or 2 lockers.

3 High ADD:
 HPL +\$2,335 List
 Veneer +\$3,190 List

Choose a standard shelf taller than the enclosed section and it will replace the lower shelves.

Back Panels



30" Wide to fit between posts.

	TFL	Whiteboard/ HPL/Fabric	Monitor Mount
Less than 3.5 High	\$470 List	\$860 List	
More than 3.5 High	\$940 List	\$1,720 List	+\$750 List

Back panels can be added to enclosed storage. They will occupy the full height of the unit and act as the back wall of the enclosed storage. Use the pricing for 3.5 High or less when adding back panels to enclosed storage.