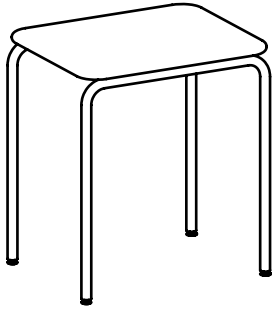


# Makr Student Desk

---



**Options / Notes:**

**Table Height:** 29.5"

**TFL Edge:** edgeband ONLY

**HPL Edge:** edgeband / MDF 90 /  
MDF Knife / MDF trim

**PLY/Richlite Edge:** PLY 90 / PLY  
knife

**Powdercoat MDF:** MOQ of 50,  
smaller orders may effect price

**Dimensions**

**Surface Material**

---

D	W	MODEL NUMBER	TFL	HPL/ Mirlux	PLY	*Richlite	**Powdercoat MDF
20"	27"	<b>SC-SD-2027-29</b>	295	390	550	670	485

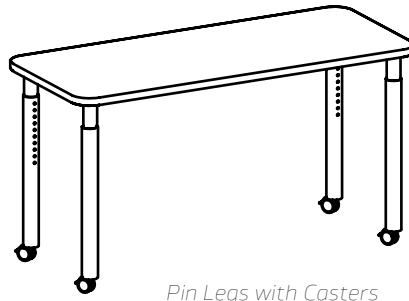
\*Richlite comes with 1/8" phenolic resin face veneers and a 3/4" baltic birch plywood core.

\*\*Powdercoat MDF has a MOQ of 50, smaller orders may effect price. Inquire for leadtimes.

## Makr Simple Table



Fixed Legs with Glides



Pin Legs with Casters

### Options / Notes:

**Pin Adj. w/ Casters:** +\$480

**Pin Adj. w/o Casters:** +\$480

**Pin Adj. Wheel barrow:** +\$480

**Custom Power Cutouts:** +\$180

**TFL Edge:** edgeband ONLY

**HPL Edge:** edgeband / MDF 90 /  
MDF Knife / MDF trim

**PLY/Richlite Edge:** 90 / PLY knife

**Anti Sag:** Standard on all Tables

**Corner Radius:** 3"

### Dimensions

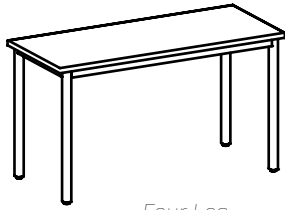
### Surface Material

D	W	MODEL NUMBER	TFL	HPL/ Mirlux	PLY	*Richlite	**Powdercoat MDF
24"	48"	<b>SC-ST-2448-29</b>	755	960	1430	1560	1260
24"	60"	<b>SC-ST-2460-29</b>	805	1055	1490	1810	1435
24"	72"	<b>SC-ST-2472-29</b>	850	1150	1675	2065	1610
30"	48"	<b>SC-ST-3048-29</b>	800	1050	1480	1805	1430
30"	60"	<b>SC-ST-3060-29</b>	855	1170	1710	2110	1645
30"	72"	<b>SC-ST-3072-29</b>	910	1290	1940	2425	1860
36"	48"	<b>SC-ST-3648-29</b>	840	1140	1660	2050	1595
36"	60"	<b>SC-ST-3660-29</b>	905	1285	1930	2420	1860
36"	72"	<b>SC-ST-3672-29</b>	970	1430	2210	2785	2105

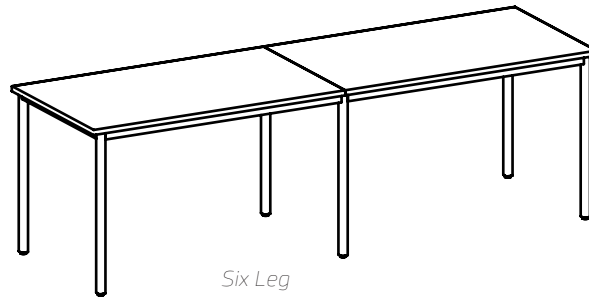
\*Richlite comes with 1/8" phenolic resin face veneers and a 3/4" baltic birch plywood core.

\*\*Powdercoat MDF has a MOQ of 50, smaller orders may effect price. Inquire for leadtimes.

## Makr Heavy Duty Table



Four Leg



Six Leg

### Options / Notes:

**Casters:** +\$180 (hieght not altered)

**6 Leg:** Tables over 72" have 6 legs

**2 piece Top:** Tables over 96" **Table**

**Height:** 29.5" / 36"+\$275 / 42"+\$275

**Custom Power Cutouts:** +\$180

**TFL Edge:** edgeband ONLY

**HPL Edge:** edgeband / MDF 90 /

MDF Knife / MDF trim

**PLY Edge:** PLY 90 / PLY knife

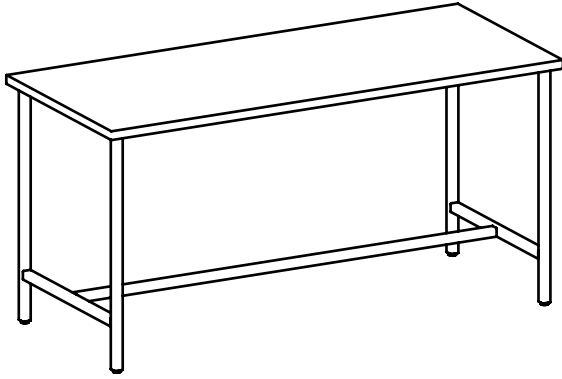
### Dimensions

### Surface Material

D	W	MODEL NUMBER	TFL	HPL/ Mirlux	PLY	*Richlite
24"	48"	<b>SC-HDT-2448</b>	2495	2700	3050	3300
24"	60"	<b>SC-HDT-2460</b>	2545	2795	3230	3550
24"	72"	<b>SC-HDT-2472</b>	2590	2890	3415	3805
24"	84"	<b>SC-HDT-2484</b>	4195	4550	5155	5606
24"	96"	<b>SC-HDT-2496</b>	4370	4770	5460	5980
24"	108"	<b>SC-HDT-24108</b>	4415	4870	5645	6230
24"	120"	<b>SC-HDT-24120</b>	4465	4970	5830	6480
30"	48"	<b>SC-HDT-3048</b>	2260	2910	3340	3665
30"	60"	<b>SC-HDT-3060</b>	2720	3030	3570	3980
30"	72"	<b>SC-HDT-3072</b>	2770	3150	3800	4285
30"	84"	<b>SC-HDT-3084</b>	4440	4885	5640	6210
30"	96"	<b>SC-HDT-3096</b>	4625	5130	5995	6640
30"	108"	<b>SC-HDT-30108</b>	4680	5250	6220	6955
30"	120"	<b>SC-HDT-30120</b>	4740	5370	6450	7260
36"	48"	<b>SC-HDT-3648</b>	2820	3120	3640	4030
36"	60"	<b>SC-HDT-3660</b>	2885	3265	3910	4400
36"	72"	<b>SC-HDT-3672</b>	2950	3410	4180	4770
36"	84"	<b>SC-HDT-3684</b>	4690	5220	6130	6810
36"	96"	<b>SC-HDT-3696</b>	4885	5490	6530	7310
36"	108"	<b>SC-HDT-36108</b>	4950	5630	6800	7675
36"	120"	<b>SC-HDT-36120</b>	5015	5770	7030	8040

\*Richlite comes with 1/8" phenolic resin face veneers and a 3/4" baltic birch plywood core.

## Makr H Table



### Options / Notes:

**Casters:** +\$180 (hieght not altered)

**Table Hieght:** 29.5" / 36"+\$275 / 42"+\$275

**Custom Power Cutouts:** +\$180

**TFL Edge:** edgeband ONLY

**HPL Edge:** edgeband / MDF 90 / MDF Knife / MDF trim

**PLY Edge:** PLY 90 / PLY knife

### Dimensions

### Surface Material

D	W	MODEL NUMBER	TFL	HPL/ Mirlux	PLY	*Richlite	**Butcher Block
24"	48"	<b>SC-HT-2448</b>	1915	2120	2460	2725	3115
24"	60"	<b>SC-HT-2460</b>	1960	2215	2645	2970	3460
24"	72"	<b>SC-HT-2472</b>	2010	2315	2830	3220	3810
24"	84"	<b>SC-HT-2484</b>	2060	2410	3020	3470	4160
24"	96"	<b>SC-HT-2496</b>	2105	2510	3205	3720	4505
36"	48"	<b>SC-HT-3648</b>	2620	2930	3445	3835	4420
36"	60"	<b>SC-HT-3660</b>	2690	3065	3715	4200	4940
36"	72"	<b>SC-HT-3672</b>	2755	3210	3985	4570	5455
36"	84"	<b>SC-HT-3684</b>	2820	3350	4260	4940	5970
36"	96"	<b>SC-HT-3696</b>	2890	3490	4530	5305	6485
48"	48"	<b>SC-HT-4848</b>	3055	3455	4150	4670	5455
48"	60"	<b>SC-HT-4860</b>	3140	3640	4505	5120	6140
48"	72"	<b>SC-HT-4872</b>	320	3830	4865	5640	6820
48"	84"	<b>SC-HT-4884</b>	3305	4020	5220	6130	7505
48"	96"	<b>SC-HT-4896</b>	3390	4200	5580	6620	8190

\*Richlite comes with 1/8" phenolic resin face veneers and a 3/4" baltic birch plywood core.

\*\* Butcher Block is made from select maple, it is finished with hardwax oil, and it is 1 3/8" thick.