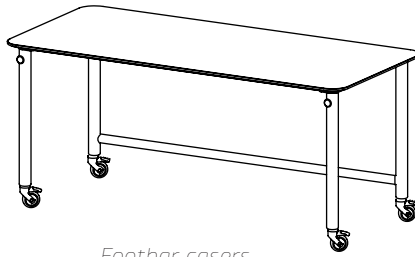
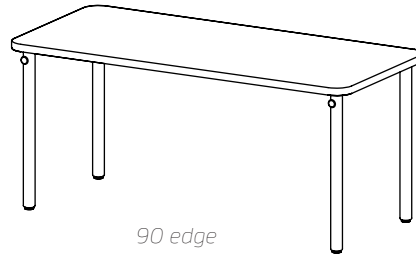


## MOMENT Desk



Footbar, casters,  
knife edge



90 edge

### Options / Notes:

**Casters:** +\$110 (hieght not altered)

**Grommets:** +\$65

**Desk Hieght:** 29.5" / 36" / 42"+\$240

**\*Footbar Required on 42" Tall Desks**

**TFL Edge:** edgeband ONLY

**HPL Edge:** edgeband / MDF 90 /

MDF Knife / MDF trim

**PLY Edge:** PLY 90 / PLY knife

**Bag hooks standard on all desks**

**Under Surface Cable Cover:** +\$720

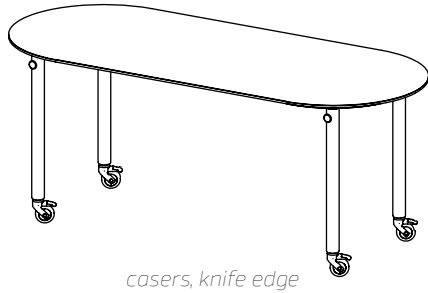
### Dimensions

### Surface Material

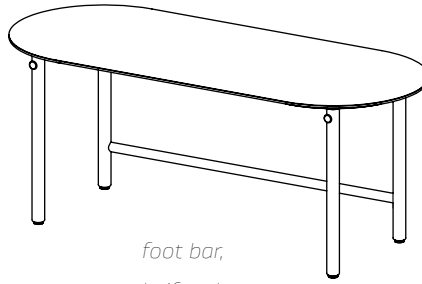
### Footbar

D	W	MODEL NUMBER	TFL	HPL	PLY	TYPE A
24"	48"	<b>MD2448</b>	1390	1670	1860	+335
24"	54"	<b>MD2454</b>	1405	1715	1930	+360
24"	60"	<b>MD2460</b>	1430	1775	2135	+395
24"	66"	<b>MD2466</b>	1475	1835	2100	+420
24"	72"	<b>MD2472</b>	1500	1885	2170	+445
30"	48"	<b>MD3048</b>	1440	1765	1990	+335
30"	54"	<b>MD3054</b>	1475	1825	2090	+360
30"	60"	<b>MD3060</b>	1500	1895	2185	+395
30"	66"	<b>MD3066</b>	1535	1955	2280	+420
30"	72"	<b>MD3072</b>	1560	2030	2375	+445
36"	48"	<b>MD3648</b>	1450	1765	1990	+335
36"	54"	<b>MD3654</b>	1490	1825	2090	+360
36"	60"	<b>MD3660</b>	1510	1895	2185	+395
36"	66"	<b>MD3666</b>	1550	1955	2280	+420
36"	72"	<b>MD3672</b>	1585	2030	2375	+445

# MOMENT Racetrack Desk



casters, knife edge



foot bar,  
knife edge

## Options / Notes:

**Casters:** +\$110 (hieght not altered)

**Grommets:** +\$65

**Desk Hieght:** 29.5" / 36" / 42"+\$240

**\*Footbar Required on 42" Tall Desks**

**TFL Edge:** edgeband ONLY

**HPL Edge:** edgeband / MDF 90 /

MDF Knife / MDF trim

**PLY Edge:** PLY 90 / PLY knife

**Bag hooks standard on all desks**

**Under Surface Cable Cover:** +\$720

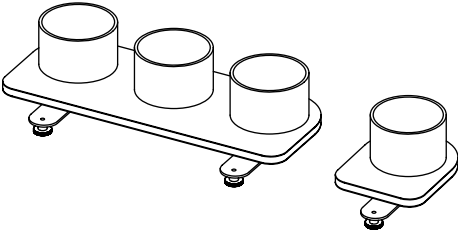
## Dimensions

## Surface Material

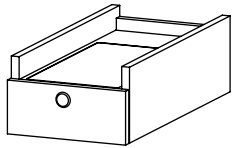
## Footbar

D	W	MODEL NUMBER	Surface Material			TYPE A
			TFL	HPL	PLY	
24"	60"	<b>MDO2460</b>	1430	1775	2015	+395
24"	72"	<b>MDO2472</b>	1500	1885	2170	+445
30"	60"	<b>MDO3060</b>	1500	1895	1620	+395
30"	72"	<b>MDO3072</b>	1560	2030	1980	+445
36"	60"	<b>MDO3660</b>	1510	1585	2065	+395
36"	72"	<b>MDO3672</b>	1585	2030	2375	+4454

## MOMENT Desk Accessories

	D	W	H	MODEL NUMBER	Price
<b>Planters</b> 	<b>Single</b>				
	12"	9"	9"	<b>MTAPL1</b>	300
	<b>Tripple</b>				
	12"	24"	9"	<b>MTAPL3</b>	540

## Pendant Storage

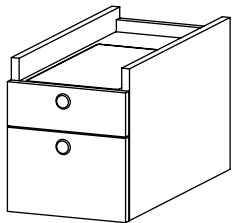


### Pencil for 24" deep desk

20" 12" 7" **MTDPP24** 660

### Pencil for 30" deep desk

26" 12" 7" **MTDPP30** 780

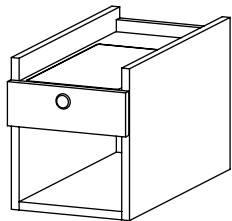


### Pencil + Box for 24" deep desk

20" 12" 7" **MTDPPB24** 840

### Pencil + Box for 30" deep desk

26" 12" 7" **MTDPPB30** 960

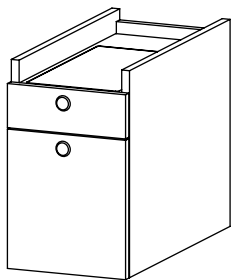


### Pencil + Open for 24" deep desk

20" 12" 7" **MTDPP024** 720

### Pencil + Open for 30" deep desk

26" 12" 7" **MTDPP030** 840



### Pencil + File for 24" deep desk

20" 12" 7" **MTDPPF24** 900

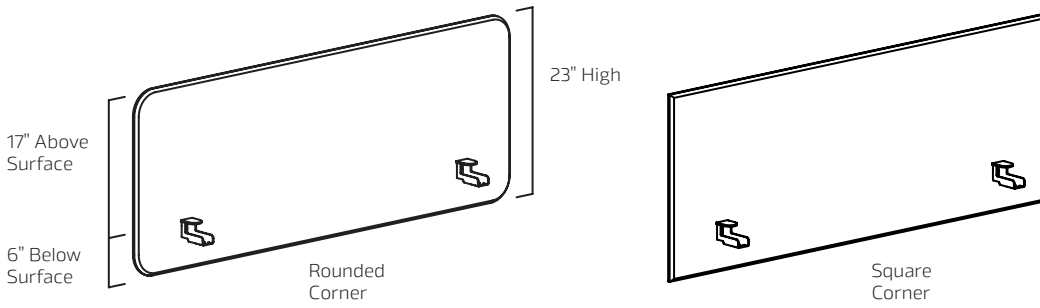
### Pencil + File for 30" deep desk

26" 12" 7" **MTDPPF30** 1020

*Pendent storage can be specified on the right, left, or on both sides of the Moment Teacher Desk*

# Makr Privacy Screens

46" System Height no Modesty



## Options / Notes:

**Standard Fabric:** Price based on Camira Rivet

**Premium Fabric:** Price Based on Camira Synergy 66

**COM Fabric:** Price will be determined based on specified fabric

**Clamp on Brackets:** Works on any surface less than 1.25" thick. Knife edge needs wood screws.

**Footprint:** Screens will add 1.5" in width and 2.25" in depth or width to the overall footprint of the desk

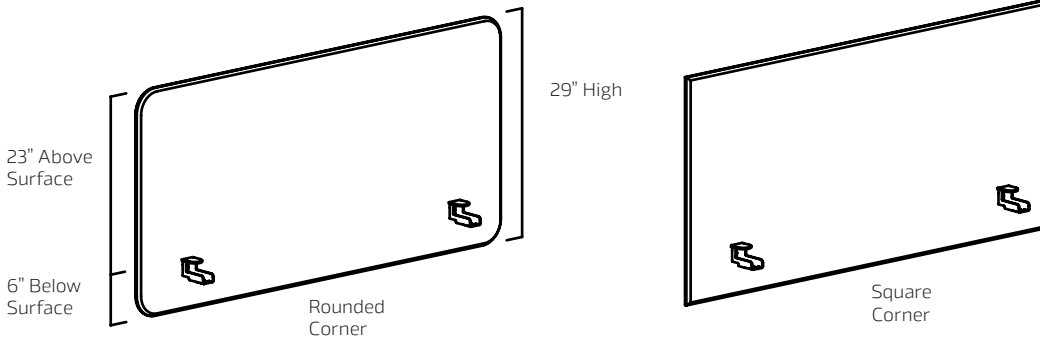
## Dimensions

## Screen Material

H	W	MODEL NUMBER	TFL	HPL/ Mirlux	Standrad Fabric	Premium Fabric	Frosted Acrylic
Rounded Corner							
23"	24"	<b>DSRNM2324</b>	300	445	445	575	445
23"	30"	<b>DSRNM2330</b>	335	505	490	560	490
23"	36"	<b>DSRNM2336</b>	360	660	540	730	540
23"	42"	<b>DSRNM2342</b>	395	635	590	815	600
23"	48"	<b>DSRNM2348</b>	420	695	635	890	650
23"	54"	<b>DSRNM2354</b>	445	755	670	960	695
23"	60"	<b>DSRNM2360</b>	470	815	720	1030	755
23"	66"	<b>DSRNM2366</b>	505	875	770	1115	805
23"	72"	<b>DSRNM2372</b>	530	950	815	1190	865
Square Corner							
23"	24"	<b>DSSNM2324</b>	300	445	445	575	445
23"	30"	<b>DSSNM2330</b>	335	505	490	560	490
23"	36"	<b>DSSNM2336</b>	360	660	540	730	540
23"	42"	<b>DSSNM2342</b>	395	635	590	815	600
23"	48"	<b>DSSNM2348</b>	420	695	635	890	650
23"	54"	<b>DSSNM2354</b>	445	755	670	960	695
23"	60"	<b>DSSNM2360</b>	470	815	720	1030	755
23"	66"	<b>DSSNM2366</b>	505	875	770	1115	805
23"	72"	<b>DSSNM2372</b>	530	950	815	1190	865

# Makr Privacy Screens

52" System Height no Modesty



### Options / Notes:

**Standard Fabric:** Price based on Camira Rivet

**Premium Fabric:** Price Based on Camira Synergy 66

**COM Fabric:** Price will be determined based on specified fabric

**Clamp on Brackets:** Works on any surface less than 1.25" thick. Knife edge needs wood screws.

**Footprint:** Screens will add 1.5" in width and 2.25" in depth or width to the overall footprint of the desk

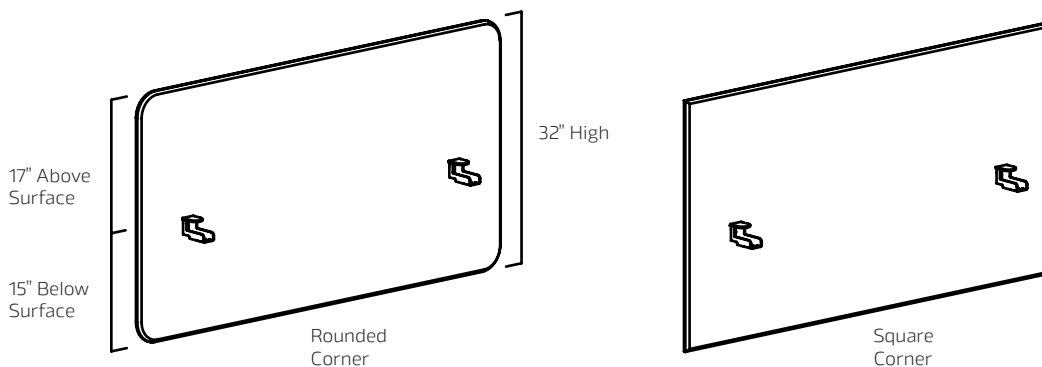
## Dimensions

## Screen Material

H	W	MODEL NUMBER	TFL	HPL/ Mirlux	Standrad Fabric	Premium Fabric	Frosted Acrylic
Rounded Corner							
29"	24"	<b>DSRNM2924</b>	335	505	575	600	490
29"	30"	<b>DSRNM2930</b>	370	710	650	685	550
29"	36"	<b>DSRNM2936</b>	395	660	720	770	625
29"	42"	<b>DSRNM2942</b>	430	895	790	840	685
29"	48"	<b>DSRNM2948</b>	470	980	865	925	755
29"	54"	<b>DSRNM2954</b>	505	1070	950	1010	815
29"	60"	<b>DSRNM2960</b>	530	1165	1020	1090	875
29"	66"	<b>DSRNM2966</b>	565	1255	1090	1175	950
29"	72"	<b>DSRNM2972</b>	600	1355	1165	1250	1010
Square Corner							
29"	24"	<b>DSSNM2924</b>	335	505	575	600	490
29"	30"	<b>DSSNM2930</b>	370	710	650	685	550
29"	36"	<b>DSSNM2936</b>	395	660	720	770	625
29"	42"	<b>DSSNM2942</b>	430	895	790	840	685
29"	48"	<b>DSSNM2948</b>	470	980	865	925	755
29"	54"	<b>DSSNM2954</b>	505	1070	950	1010	815
29"	60"	<b>DSSNM2960</b>	530	1165	1020	1090	875
29"	66"	<b>DSSNM2966</b>	565	1255	1090	1175	950
29"	72"	<b>DSSNM2972</b>	600	1355	1165	1250	1010

# Makr Privacy Screens

46" System Height with Modesty



## Options / Notes:

**Standard Fabric:** Price based on Camira Rivet

**Premium Fabric:** Price Based on Camira Synergy 66

**COM Fabric:** Price will be determined based on specified fabric

**Clamp on Brackets:** Works on any surface less than 1.25" thick. Knife edge needs wood screws.

**Footprint:** Screens will add 1.5" in width and 2.25" in depth or width to the overall footprint of the desk

## Dimensions

## Screen Material

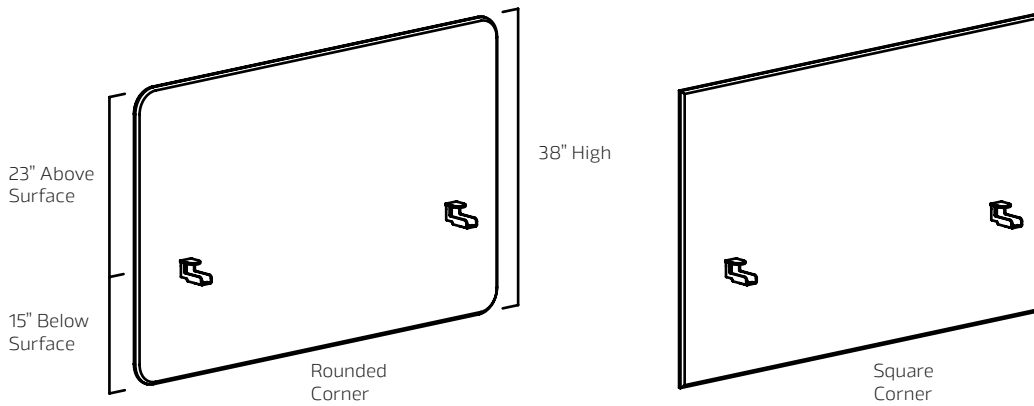
H	W	MODEL NUMBER	TFL	HPL/ Mirlux	Standrad Fabric	Premium Fabric	Frosted Acrylic
Rounded Corner							
32"	24"	<b>DSRM3224</b>	350	540	590	830	515
32"	30"	<b>DSRM3230</b>	380	625	660	970	590
32"	36"	<b>DSRM3236</b>	420	710	730	1115	660
32"	42"	<b>DSRM3242</b>	455	790	815	1250	745
32"	48"	<b>DSRM3248</b>	490	875	890	1390	805
32"	54"	<b>DSRM3254</b>	530	960	970	1525	875
32"	60"	<b>DSRM3260</b>	565	1045	1045	1670	935
32"	66"	<b>DSRM3266</b>	600	1130	1130	1810	1010
32"	72"	<b>DSRM3272</b>	635	1210	1200	1945	1080

## Square Corner

32"	24"	<b>DSSM3224</b>	350	540	590	830	515
32"	30"	<b>DSSM3230</b>	380	625	660	970	590
32"	36"	<b>DSSM3236</b>	420	710	730	1115	660
32"	42"	<b>DSSM3242</b>	455	790	815	1250	745
32"	48"	<b>DSSM3248</b>	490	875	890	1390	805
32"	54"	<b>DSSM3254</b>	530	960	970	1525	875
32"	60"	<b>DSSM3260</b>	565	1045	1045	1670	935
32"	66"	<b>DSSM3266</b>	600	1130	1130	1810	1010
32"	72"	<b>DSSM3272</b>	635	1210	1200	1945	1080

# Makr Privacy Screens

54" System Height with Modesty



## Options / Notes:

**Standard Fabric:** Price based on Camira Rivet

**Premium Fabric:** Price Based on Camera Synergy 66

**COM Fabric:** Price will be determined based on specified fabric

**Clamp on Brackets:** Works on any surface less than 1.25" thick. Knife edge needs wood screws.

**Footprint:** Screens will add 1.5" in width and 2.25" in depth or width to the overall footprint of the desk

## Dimensions

## Screen Material

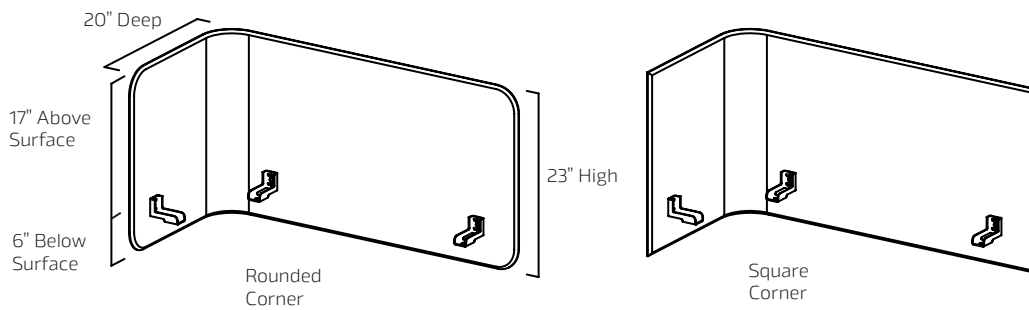
H	W	MODEL NUMBER	TFL	HPL/ Mirlux	Standrad Fabric	Premium Fabric	Frosted Acrylic
Rounded Corner							
38"	24"	<b>DSRM3824</b>	370	600	600	850	575
38"	30"	<b>DSRM3830</b>	420	710	685	995	660
38"	36"	<b>DSRM3836</b>	455	805	770	1140	745
38"	42"	<b>DSRM3842</b>	505	900	850	1285	815
38"	48"	<b>DSRM3848</b>	540	995	935	1430	900
38"	54"	<b>DSRM3854</b>	590	1105	1020	1465	985
38"	60"	<b>DSRM3860</b>	625	1200	1105	1730	1070
38"	66"	<b>DSRM3866</b>	660	1295	1190	1870	1150
38"	72"	<b>DSRM3872</b>	710	1390	1260	2015	1225

## Square Corner

38"	24"	<b>DSSM3824</b>	370	600	600	850	575
38"	30"	<b>DSSM3830</b>	420	710	685	995	660
38"	36"	<b>DSSM3836</b>	455	805	770	1140	745
38"	42"	<b>DSSM3842</b>	505	900	850	1285	815
38"	48"	<b>DSSM3848</b>	540	995	935	1430	900
38"	54"	<b>DSSM3854</b>	590	1105	1020	1465	985
38"	60"	<b>DSSM3860</b>	625	1200	1105	1730	1070
38"	66"	<b>DSSM3866</b>	660	1295	1190	1870	1150
38"	72"	<b>DSSM3872</b>	710	1390	1260	2015	1225

# Makr Privacy Screens

## 46" System Height Corner Screen



### Options / Notes:

**PET Material:** PET is the only finish available for coner screens.

**Non Handed:** Screens are reversible and can be mounted on either sides of a surface

**Footprint:** Screens will add 1.5" in width and 1.5" in depth to the overall footprint of the desk

### Dimensions

### Screen Material

H	W	MODEL NUMBER	PET
Rounded Corner			
23"	24"	<b>DSCRNM2324</b>	1080
23"	30"	<b>DSCRNM2330</b>	1680
23"	36"	<b>DSCRNM2336</b>	1680
23"	42"	<b>DSCRNM2342</b>	1680
23"	48"	<b>DSCRNM2348</b>	1680
23"	54"	<b>DSCRNM2354</b>	1680
23"	60"	<b>DSCRNM2360</b>	1680
23"	66"	<b>DSCRNM2366</b>	1680
23"	72"	<b>DSCRNM2372</b>	1680

### Square Corner

23"	24"	<b>DSCSNM2324</b>	1080
23"	30"	<b>DSCSNM2330</b>	1680
23"	36"	<b>DSCSNM2336</b>	1680
23"	42"	<b>DSCSNM2342</b>	1680
23"	48"	<b>DSCSNM2348</b>	1680
23"	54"	<b>DSCSNM2354</b>	1680
23"	60"	<b>DSCSNM2360</b>	1680
23"	66"	<b>DSCSNM2366</b>	1680
23"	72"	<b>DSCSNM2372</b>	1680



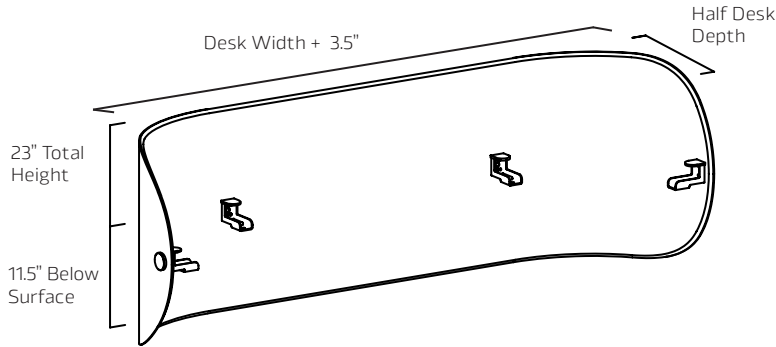
# Makr Privacy Screens

## Full Wrap Screen for Moment Racetrack Desk

### Options / Notes:

**PET Material:** PET is the only finish available for coner screens.

**Non Handed:** The screens are symmetric.



### IMPORTANT Please Read:

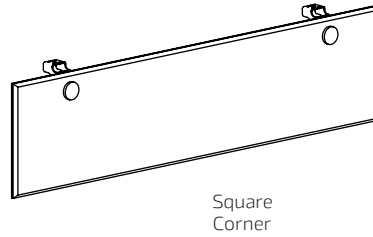
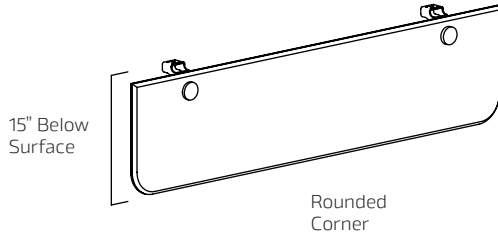
The screens are sized to work with the Moment Racetrack Desks. The dimensions shown below are for the desk that each screen accompanies, not the screen itself. The screen will add 3" in width (1.5" on each side) and 1.5" in depth to the overall footprint of the desk.

### Dimensions

### Screen Material

H	W	MODEL NUMBER	PET
	For Desk Width:		
12"	60"	<b>DSFWM2324</b>	2040
12"	72"	<b>DSCRNM2330</b>	2040
15"	60"	<b>DSFWM2336</b>	2040
15"	72"	<b>DSFWM2342</b>	2040
18"	60"	<b>DSFWM2348</b>	2040
18"	72"	<b>DSFWM2354</b>	2040

# MOMENT Desk Modesty Screens 15"



## IMPORTANT Please Read:

The width dimensions shown below are based on the width of the **MOMENT Desk** the modesty will be mounted to. The actual modesty screen is 9" (4.5" on each side) undersized to fit between the desk legs. Specify a 60" modesty panel for a 60" **MOMENT Desk**, but the actual modesty screen will be 51" wide.

## Options / Notes:

**Standard Fabric:** Price based on Camira Rivet

**Premium Fabric:** Price Based on Camira Synergy 66

**COM Fabric:** Price will be determined based on specified fabric

**Screw on Brackets:** Wood screws allow the modesty panel to the underside of any wood surface.

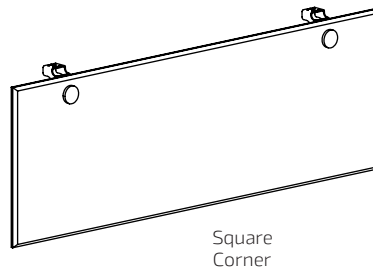
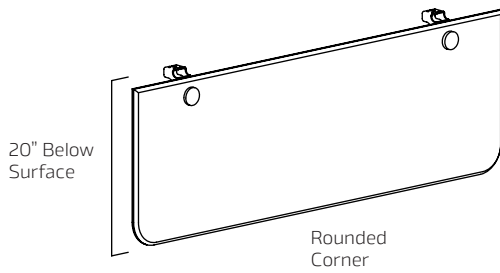
**Pendant Storage:** 15" below surface modesties match Pencil Box and Pencil Open Pendant Storage. Square corner modesty should be used when matching modesty.

## Dimensions

## Screen Material

H	W	MODEL NUMBER	TFL	HPL/ Mirlux	Standrad Fabric	Premium Fabric	Frosted Acrylic
Rounded Corner							
15"	48"	<b>DMRNM1548</b>	300	395	505	710	430
15"	54"	<b>DMRNM1554</b>	325	420	540	780	470
15"	60"	<b>DMRNM1560</b>	350	455	575	840	490
15"	66"	<b>DMRNM1566</b>	360	490	610	910	530
15"	72"	<b>DMRNM1572</b>	370	515	650	970	565
Square Corner							
15"	48"	<b>DMSNM1548</b>	300	395	505	710	430
15"	54"	<b>DMSNM1554</b>	325	420	540	780	470
15"	60"	<b>DMSNM1560</b>	350	455	575	840	490
15"	66"	<b>DMSNM1566</b>	360	490	610	910	530
15"	72"	<b>DMSNM1572</b>	370	515	650	970	565

# MOMENT Desk Modesty Screens 20"



## Options / Notes:

**Standard Fabric:** Price based on Camira Rivet

**Premium Fabric:** Price Based on Camira Synergy 66

**COM Fabric:** Price will be determined based on specified fabric

**Screw on Brackets:** Wood screws allow the modesty panel to the underside of any wood surface.

**Pendant Storage:** 20" below surface modesties match Pencil File Pendant Storage. Square corner modesty should be used when matching modesty.

## IMPORTANT Please Read:

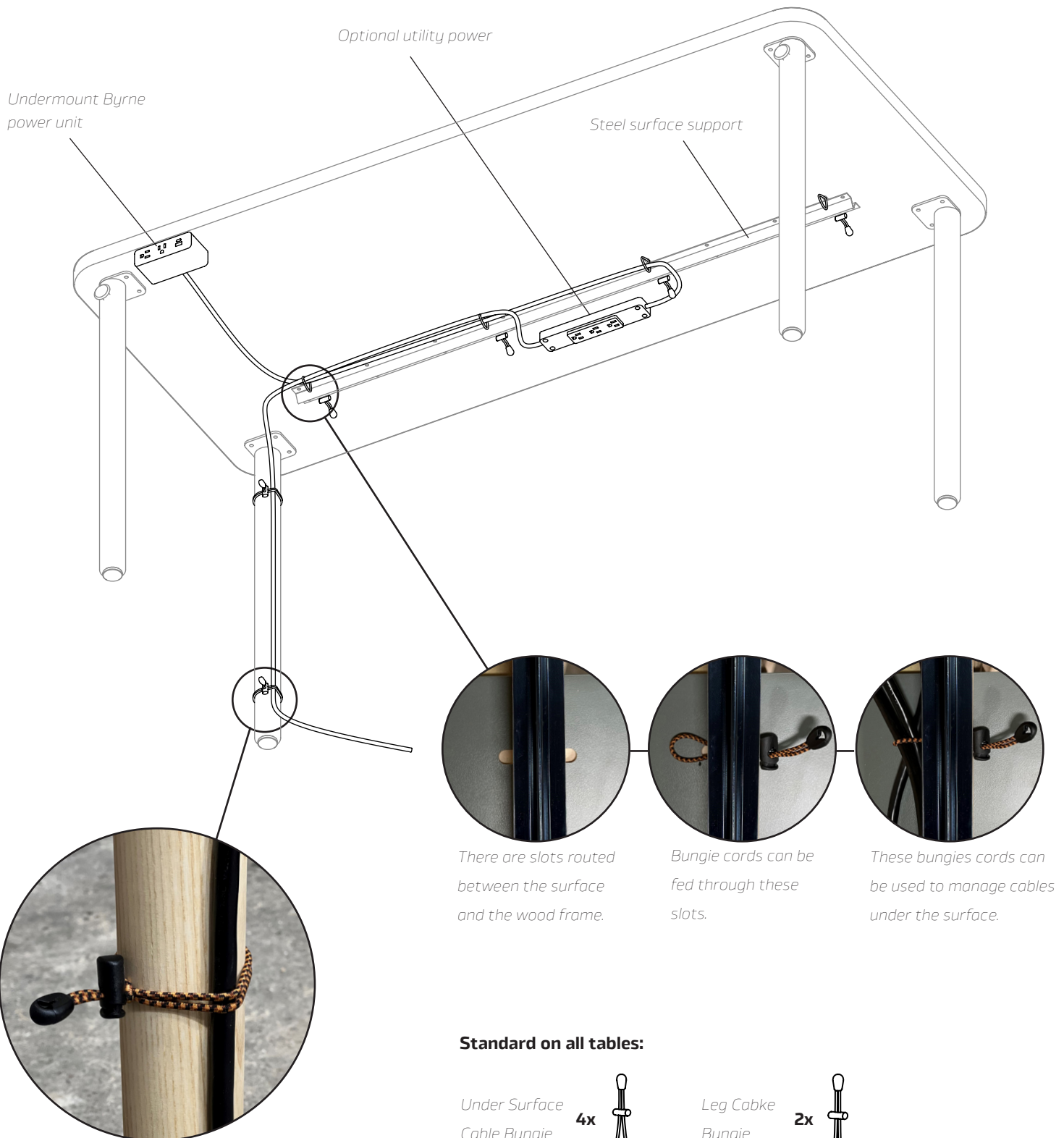
The width dimensions shown below are based on the width of the **MOMENT Desk** the modesty will be mounted to. The actual modesty screen is 9" (4.5" on each side) undersized to fit between the desk legs. Specify a 60" modesty panel for a 60" **MOMENT Desk**, but the actual modesty screen will be 51" wide.

## Dimensions

## Screen Material

H	W	MODEL NUMBER	TFL	HPL/ Mirlux	Standrad Fabric	Premium Fabric	Frosted Acrylic
Rounded Corner							
20"	48"	<b>DMRNM2048</b>	335	470	540	745	505
20"	54"	<b>DMRNM2054</b>	360	505	575	815	540
20"	60"	<b>DMRNM2060</b>	385	550	610	875	590
20"	66"	<b>DMRNM2066</b>	410	590	660	950	625
20"	72"	<b>DMRNM2072</b>	430	635	695	1020	670
Square Corner							
20"	48"	<b>DMSNM2048</b>	335	470	540	745	505
20"	54"	<b>DMSNM2054</b>	360	505	575	815	540
20"	60"	<b>DMSNM2060</b>	385	550	610	875	590
20"	66"	<b>DMSNM2066</b>	410	590	660	950	625
20"	72"	<b>DMSNM2072</b>	430	635	695	1020	670

# MOMENT Desk Cable Management (stand alone power)



Adjustable bungee cords offer user configurable cable management down any table leg

### Standard on all tables:

Under Surface Cable Bungee

4x

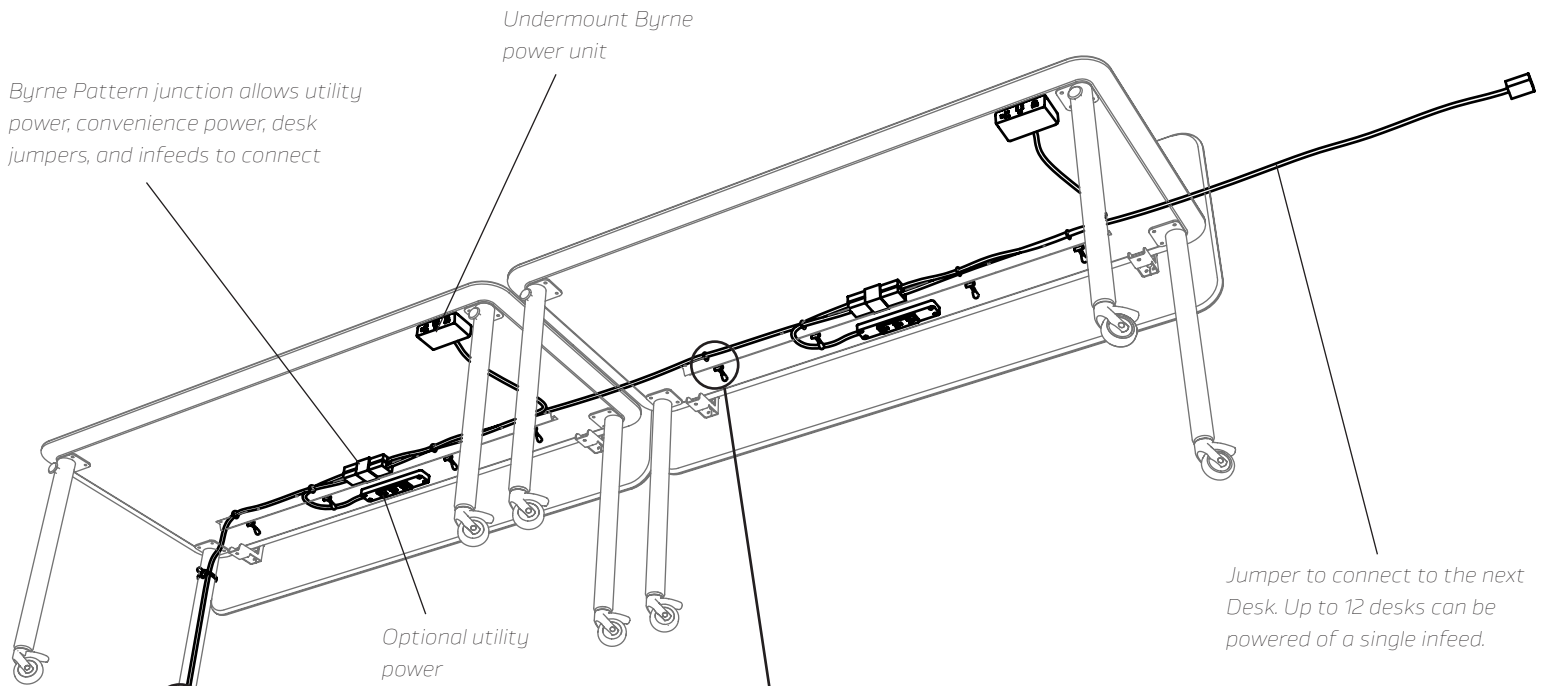


Leg Cable Bungee

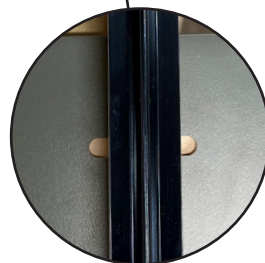
2x



# MOMENT Desk Cable Management (systems power)



10' Power infeed. 20 amp head or hardwire whip options



There are slots routed between the surface and the wood frame.



Bungee cords can be fed through these slots.



These bungies cords can be used to manage cables under the surface.



Adjustable bungee cords offer user configurable cable management down any table leg

### Standard on all tables:

Under Surface Cable Bungie

4x



Leg Cable Bungie

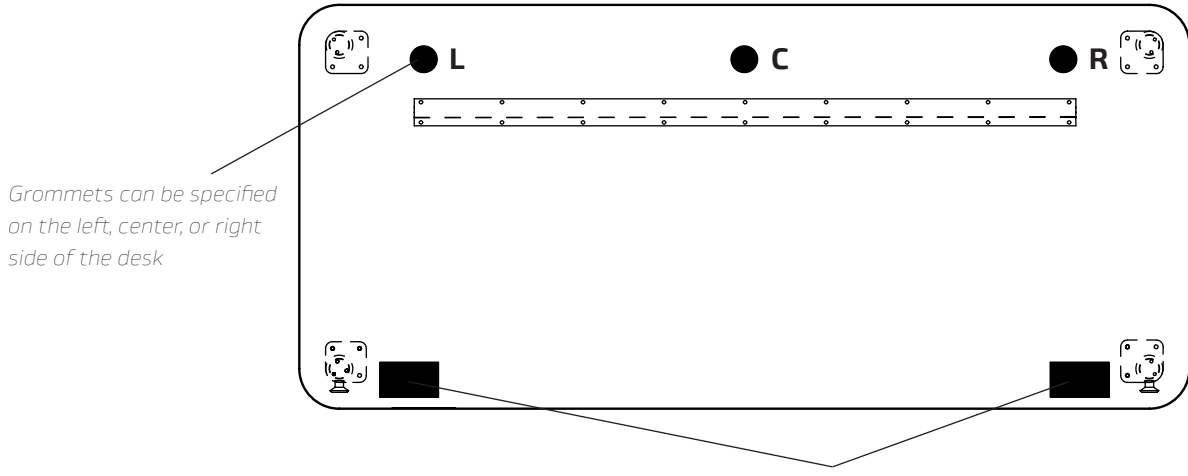
2x



# MOMENT Teacher Desk Power Placement

---

Clamp on power units can be placed anywhere along the back edge of the desk



Grommets can be specified on the left, center, or right side of the desk

Under mount power units can be mounted specified for the right or left side of the desk

**+\$55 list per grommet.**

# MOMENT Teacher Desk Power Placement

**Notes:**

A Hydraplex configuration comes with a 3 port inline utility power unit that is mounted under the surface of the desk. This utility power unit shares the same power cord as the main user convenience power unit. This means a single cord powers both units.

The Pattern option comes with a pattern compatible power unit, a junction block, and a jumper cable 84" in length that connects to the next desk (up to 12). An optional under surface 3 port utility power can be specified that connects to the same junction block. A single infeed must be specified per pod of desks.

**Options:**

**Braided Infeed Cord:** +\$120

**Hardwired Infeed:** +\$240


**Utility power:** +\$240

**Pattern Infeed:** +\$385

Finish option on Byrne website.

Select finishes may add extra cost.

Select finishes may add extra cost.

Power Unit	Description	Stand alone	Stand alone Hydraplex	Pattern
<b>Built in 100 Watt USB C</b>	4 port: 1 port per leg	840	NA	1190
	<i>This power solution is proprietary to Makr Furniture and the Moment Desks. It integrates a 100-Watt USB C charging port into the front two desk legs. This is enough power to charge devices ranging from cell phones to full sized laptops. In addition to power, hardware data, peripherals, and displays can pass through these ports with the use of data Hubs. Makr can work with your technology needs to help specify the proper Hub for your application. A data hub is not included in this price. The standalone solution comes with a power supply that can be plugged into a wall outlet. The pattern solution comes with a 3-port utility power strip that is connected to a pattern junction block. The USB C power supply occupies one of these three ports, leaving two open for the end user.</i>			

**Finch Undermount**



3 port: 2 PWR / USB A + C

510

1130

1130

**Finch Edgemount**



3 port: 2 PWR / USB A + C

510

1130

1130

**Dean Undermount**



3 port: 3 PWR  
3 port: 2 PWR / 1 USB A + C

420

570

900

900

1130

1130

**Dean Edgemount**



3 port: 3 PWR  
3 port: 2 PWR / 1 USB A + C

420

570

900

900

1130

1130