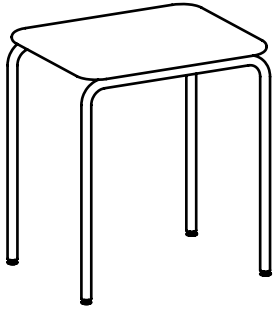


Makr Student Desk



Options / Notes:

Table Height: 29.5"

TFL Edge: edgeband ONLY

HPL Edge: edgeband / MDF 90 /
MDF Knife / MDF trim

PLY/Richlite Edge: PLY 90 / PLY
knife

Powdercoat MDF: MOQ of 50,
smaller orders may effect price

Dimensions

Surface Material

D	W	MODEL NUMBER	TFL	HPL/ Mirlux	PLY	*Richlite	**Powdercoat MDF
20"	27"	SC-SD-2027-29	305	405	570	695	505

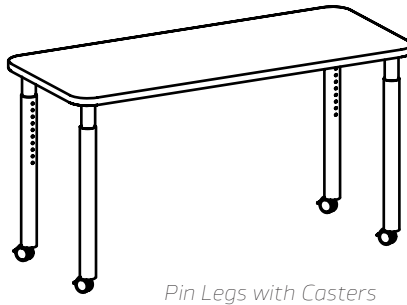
*Richlite comes with 1/8" phenolic resin face veneers and a 3/4" baltic birch plywood core.

**Powdercoat MDF has a MOQ of 50, smaller orders may effect price. Inquire for leadtimes.

Makr Simple Table



Fixed Legs with Glides



Pin Legs with Casters

Options / Notes:

Pin Adj. w/ Casters: +\$500

Pin Adj. w/o Casters: +\$500

Pin Adj. Wheel barrow: +\$500

Custom Power Cutouts: +\$185

TFL Edge: edgeband ONLY

HPL Edge: edgeband / MDF 90 /
MDF Knife / MDF trim

PLY/Richlite Edge: 90 / PLY knife

Anti Sag: Standard on all Tables

Corner Radius: 3"

Dimensions

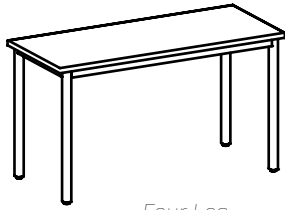
Surface Material

D	W	MODEL NUMBER	TFL	HPL/ Mirlux	PLY	*Richlite	**Powdercoat MDF
24"	48"	SC-ST-2448-29	785	1000	1485	1620	1310
24"	60"	SC-ST-2460-29	835	1095	1550	1880	1490
24"	72"	SC-ST-2472-29	885	1195	1740	2150	1675
30"	48"	SC-ST-3048-29	830	1090	1540	1875	1485
30"	60"	SC-ST-3060-29	890	1215	1780	2195	1710
30"	72"	SC-ST-3072-29	945	1340	2020	2520	1935
36"	48"	SC-ST-3648-29	875	1185	1725	2130	1660
36"	60"	SC-ST-3660-29	940	1335	2005	2515	1935
36"	72"	SC-ST-3672-29	1010	1485	2300	2895	2190

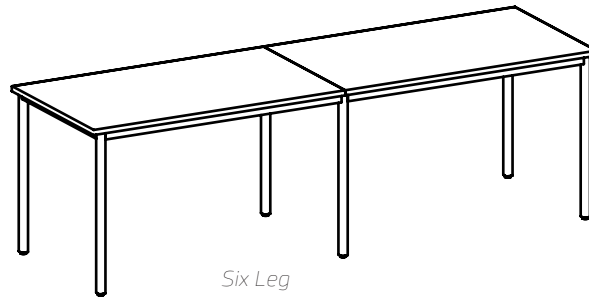
*Richlite comes with 1/8" phenolic resin face veneers and a 3/4" baltic birch plywood core.

**Powdercoat MDF has a MOQ of 50, smaller orders may effect price. Inquire for leadtimes.

Makr Heavy Duty Table



Four Leg



Six Leg

Options / Notes:

Casters: +\$185 (height not altered)

6 Leg: Tables over 72" have 6 legs

2 piece Top: Tables over 96" **Table**

Height: 29.5" / 36"+\$285 / 42"+\$285

Custom Power Cutouts: +\$185 **TFL**

Edge: edgeband ONLY

HPL Edge: edgeband / MDF 90 /

MDF Knife / MDF trim

PLY Edge: PLY 90 / PLY knife

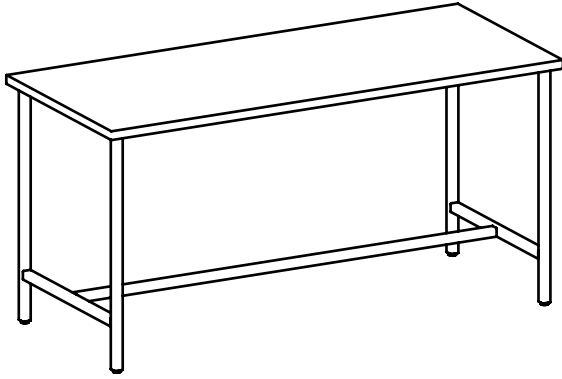
Dimensions

Surface Material

D	W	MODEL NUMBER	TFL	HPL/ Mirlux	PLY	*Richlite
24"	48"	SC-HDT-2448	2595	2810	3170	3430
24"	60"	SC-HDT-2460	2645	2905	3360	3690
24"	72"	SC-HDT-2472	2695	3005	3550	3955
24"	84"	SC-HDT-2484	4365	4730	5360	5830
24"	96"	SC-HDT-2496	4545	4960	5680	6220
24"	108"	SC-HDT-24108	4590	5065	5870	6480
24"	120"	SC-HDT-24120	4645	5170	6065	6740
30"	48"	SC-HDT-3048	2350	3025	3475	3810
30"	60"	SC-HDT-3060	2830	3150	3715	4140
30"	72"	SC-HDT-3072	2880	3275	3950	4455
30"	84"	SC-HDT-3084	4620	5080	5865	6460
30"	96"	SC-HDT-3096	4810	5335	6235	6905
30"	108"	SC-HDT-30108	4865	5460	6470	7235
30"	120"	SC-HDT-30120	4930	5585	6710	7550
36"	48"	SC-HDT-3648	2935	3245	3785	4190
36"	60"	SC-HDT-3660	3000	3395	4065	4575
36"	72"	SC-HDT-3672	3070	3545	4345	4960
36"	84"	SC-HDT-3684	4880	5430	6375	7080
36"	96"	SC-HDT-3696	5080	5710	6790	7600
36"	108"	SC-HDT-36108	5150	5855	7070	7980
36"	120"	SC-HDT-36120	5215	6000	7310	8360

*Richlite comes with 1/8" phenolic resin face veneers and a 3/4" baltic birch plywood core.

Makr H Table



Options / Notes:

Casters: +\$185 (height not altered)

Table Height: 29.5" / 36"+\$285 / 42"+\$285

Custom Power Cutouts: +\$185

TFL Edge: edgeband ONLY

HPL Edge: edgeband / MDF 90 / MDF Knife / MDF trim

PLY Edge: PLY 90 / PLY knife

Dimensions

Surface Material

D	W	MODEL NUMBER	TFL	HPL/ Mirlux	PLY	*Richlite	**Butcher Block
24"	48"	SC-HT-2448	1990	2205	2560	2835	3240
24"	60"	SC-HT-2460	2040	2305	2750	3090	3600
24"	72"	SC-HT-2472	2090	2410	2945	3350	3960
24"	84"	SC-HT-2484	2140	2505	3140	3610	4325
24"	96"	SC-HT-2496	2190	2610	3335	3870	4685
36"	48"	SC-HT-3648	2725	3045	3585	3990	4595
36"	60"	SC-HT-3660	2800	3190	3865	4370	5140
36"	72"	SC-HT-3672	2865	3340	4145	4755	5675
36"	84"	SC-HT-3684	2935	3485	4430	5140	6210
36"	96"	SC-HT-3696	3005	3630	4710	5515	6745
48"	48"	SC-HT-4848	3175	3595	4315	4855	5675
48"	60"	SC-HT-4860	3265	3785	4685	5325	6385
48"	72"	SC-HT-4872	3320	3985	5060	5865	7095
48"	84"	SC-HT-4884	3435	4180	5430	6375	7805
48"	96"	SC-HT-4896	3525	4370	5805	6885	8520

*Richlite comes with 1/8" phenolic resin face veneers and a 3/4" baltic birch plywood core.

** Butcher Block is made from select maple, it is finished with hardwax oil, and it is 1 3/8" thick.