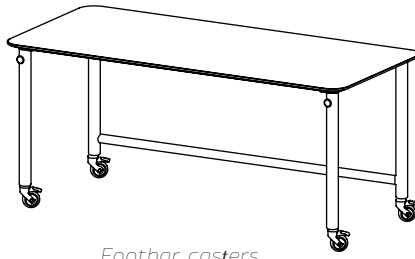
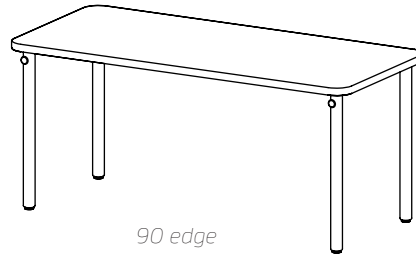


# MOMENT Desk



Footbar, casters,  
knife edge



90 edge

## Options / Notes:

**Casters:** +\$115 (height not altered)

**Grommets:** +\$70

**Desk Height:** 29.5" / 36" / 42"+\$250

**\*Footbar Required on 42" Tall Desks**

**TFL Edge:** edgeband ONLY

**HPL Edge:** edgeband / MDF 90 /

MDF Knife / MDF trim

**PLY Edge:** PLY 90 / PLY knife

**Bag hooks standard on all desks**

**Under Surface Cable Cover:** +\$750

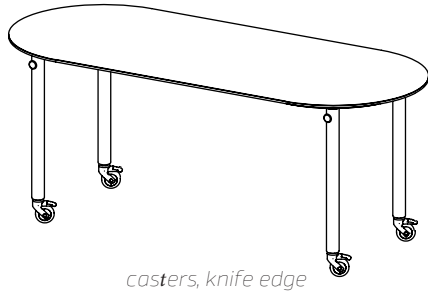
## Dimensions

## Surface Material

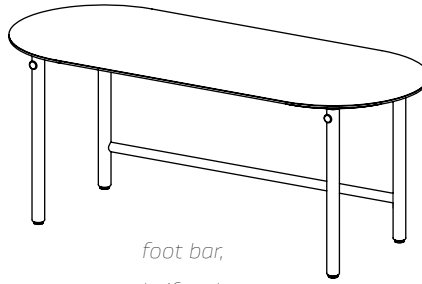
## Footbar

D	W	MODEL NUMBER	TFL	HPL	PLY	TYPE A
24"	48"	<b>MD2448</b>	1445	1735	1935	+350
24"	54"	<b>MD2454</b>	1460	1785	2005	+375
24"	60"	<b>MD2460</b>	1485	1845	2220	+410
24"	66"	<b>MD2466</b>	1535	1910	2185	+435
24"	72"	<b>MD2472</b>	1560	1960	2255	+465
30"	48"	<b>MD3048</b>	1500	1835	2070	+350
30"	54"	<b>MD3054</b>	1535	1900	2175	+375
30"	60"	<b>MD3060</b>	1560	1970	2270	+410
30"	66"	<b>MD3066</b>	1595	2035	2370	+435
30"	72"	<b>MD3072</b>	1620	2110	2470	+465
36"	48"	<b>MD3648</b>	1510	1835	2070	+350
36"	54"	<b>MD3654</b>	1550	1900	2175	+375
36"	60"	<b>MD3660</b>	1570	1970	2270	+410
36"	66"	<b>MD3666</b>	1610	2035	2370	+435
36"	72"	<b>MD3672</b>	1650	2110	2470	+465

# MOMENT Racetrack Desk



casters, knife edge



foot bar,  
knife edge

## Options / Notes:

**Casters:** +\$115 (height not altered)

**Grommets:** +\$70

**Desk Height:** 29.5" / 36" / 42"+\$250

**\*Footbar Required on 42" Tall Desks**

**TFL Edge:** edgeband ONLY

**HPL Edge:** edgeband / MDF 90 /

MDF Knife / MDF trim

**PLY Edge:** PLY 90 / PLY knife

**Bag hooks standard on all desks**

**Under Surface Cable Cover:** +\$750

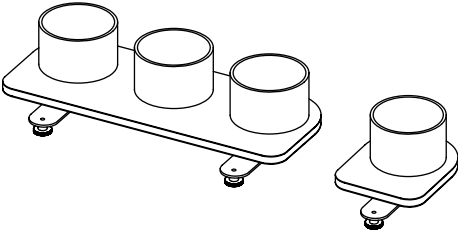
## Dimensions

## Surface Material

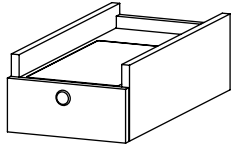
## Footbar

D	W	MODEL NUMBER	Surface Material			TYPE A
			TFL	HPL	PLY	
24"	60"	<b>MDO2460</b>	1485	1845	2095	+410
24"	72"	<b>MDO2472</b>	1560	1960	2255	+465
30"	60"	<b>MDO3060</b>	1560	1970	1685	+410
30"	72"	<b>MDO3072</b>	1620	2110	2060	+465
36"	60"	<b>MDO3660</b>	1570	1650	2150	+410
36"	72"	<b>MDO3672</b>	1650	2110	2470	+465

## MOMENT Desk Accessories

	D	W	H	MODEL NUMBER	Price
<b>Planters</b> 	<b>Single</b>				
	12"	9"	9"	<b>MTAPL1</b>	310
	<b>Triple</b>				
	12"	24"	9"	<b>MTAPL3</b>	560

## Pendant Storage

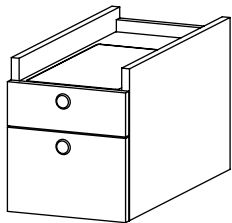


### Pencil for 24" deep desk

20" 12" 7" **MTDPP24** 685

### Pencil for 30" deep desk

26" 12" 7" **MTDPP30** 810

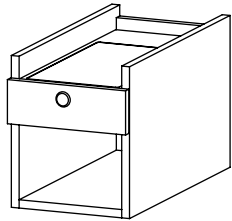


### Pencil + Box for 24" deep desk

20" 12" 7" **MTDPPB24** 875

### Pencil + Box for 30" deep desk

26" 12" 7" **MTDPPB30** 1000

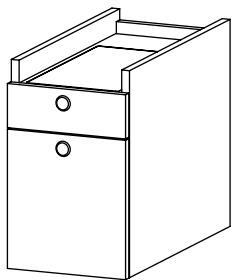


### Pencil + Open for 24" deep desk

20" 12" 7" **MTDPP024** 750

### Pencil + Open for 30" deep desk

26" 12" 7" **MTDPP030** 875



### Pencil + File for 24" deep desk

20" 12" 7" **MTDPPF24** 935

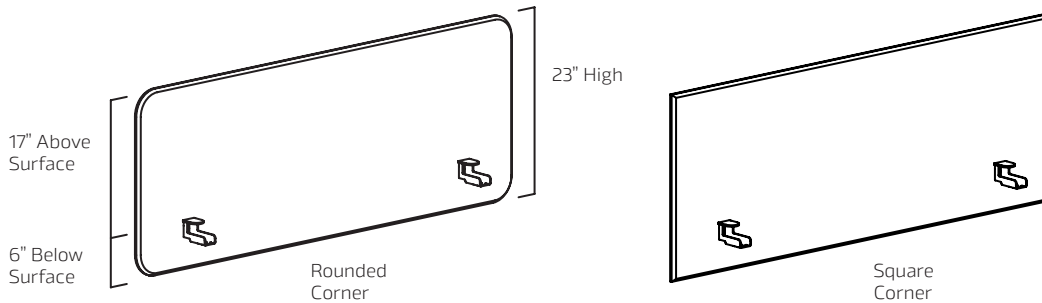
### Pencil + File for 30" deep desk

26" 12" 7" **MTDPPF30** 1060

*Pendant storage can be specified on the right, left, or on both sides of the Moment Teacher Desk*

# Makr Privacy Screens

46" System Height no Modesty



## Options / Notes:

**Standard Fabric:** Price based on Camira Rivet

**Premium Fabric:** Price Based on Camira Synergy 66

**COM Fabric:** Price will be determined based on specified fabric

**Clamp on Brackets:** Works on any surface less than 1.25" thick. Knife edge needs wood screws.

**Footprint:** Screens will add 1.5" in width and 2.25" in depth or width to the overall footprint of the desk

## Dimensions

## Screen Material

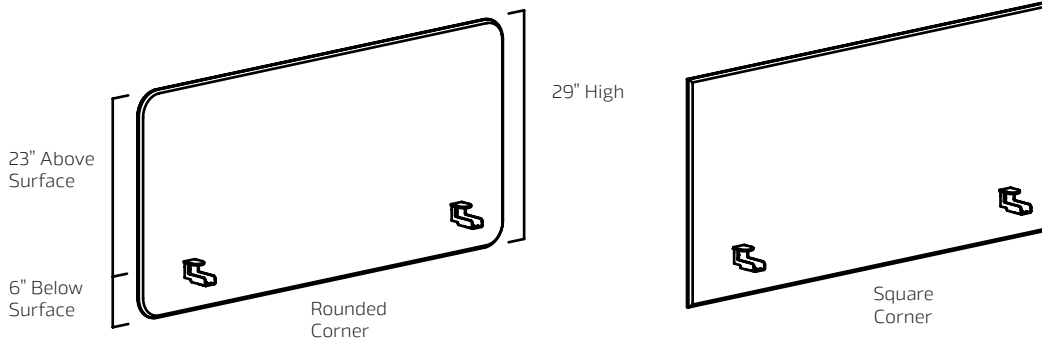
H	W	MODEL NUMBER	TFL	HPL/ Mirlux	Standard Fabric	Premium Fabric	Frosted Acrylic
Rounded Corner							
23"	24"	<b>DSRNM2324</b>	310	465	465	600	465
23"	30"	<b>DSRNM2330</b>	350	525	510	580	510
23"	36"	<b>DSRNM2336</b>	375	685	560	760	560
23"	42"	<b>DSRNM2342</b>	410	660	615	850	625
23"	48"	<b>DSRNM2348</b>	435	725	660	925	675
23"	54"	<b>DSRNM2354</b>	465	785	695	1000	725
23"	60"	<b>DSRNM2360</b>	490	850	750	1070	785
23"	66"	<b>DSRNM2366</b>	525	910	800	1160	835
23"	72"	<b>DSRNM2372</b>	550	990	850	1240	900

## Square Corner

23"	24"	<b>DSSNM2324</b>	310	465	465	600	465
23"	30"	<b>DSSNM2330</b>	350	525	510	580	510
23"	36"	<b>DSSNM2336</b>	375	685	560	760	560
23"	42"	<b>DSSNM2342</b>	410	660	615	850	625
23"	48"	<b>DSSNM2348</b>	435	725	660	925	675
23"	54"	<b>DSSNM2354</b>	465	785	695	1000	725
23"	60"	<b>DSSNM2360</b>	490	850	750	1070	785
23"	66"	<b>DSSNM2366</b>	525	910	800	1160	835
23"	72"	<b>DSSNM2372</b>	550	990	850	1240	900

# Makr Privacy Screens

52" System Height no Modesty



### Options / Notes:

**Standard Fabric:** Price based on Camira Rivet

**Premium Fabric:** Price Based on Cameria Synergy 66

**COM Fabric:** Price will be determined based on specified fabric

**Clamp on Brackets:** Works on any surface less than 1.25" thick. Knife edge needs wood screws.

**Footprint:** Screens will add 1.5" in width and 2.25" in depth or width to the overall footprint of the desk

## Dimensions

## Screen Material

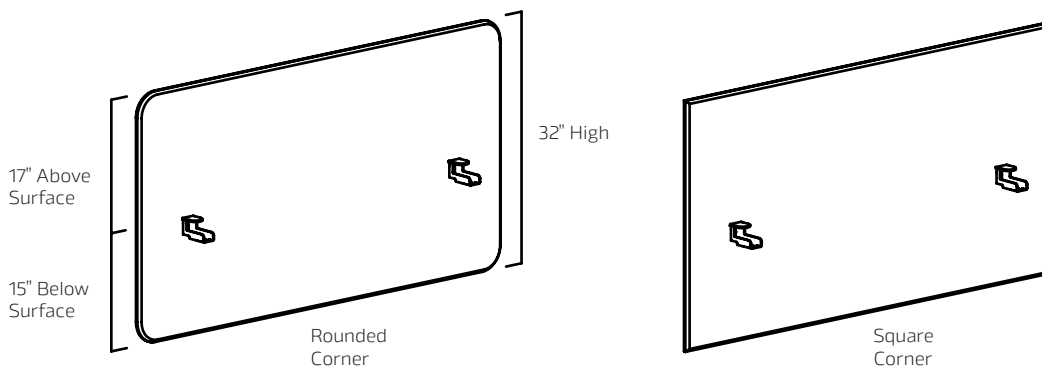
H	W	MODEL NUMBER	TFL	HPL/ Mirlux	Standard Fabric	Premium Fabric	Frosted Acrylic
Rounded Corner							
29"	24"	<b>DSRNM2924</b>	350	525	600	625	510
29"	30"	<b>DSRNM2930</b>	385	740	675	710	570
29"	36"	<b>DSRNM2936</b>	410	685	750	800	650
29"	42"	<b>DSRNM2942</b>	445	930	820	875	710
29"	48"	<b>DSRNM2948</b>	490	1020	900	960	785
29"	54"	<b>DSRNM2954</b>	525	1115	990	1050	850
29"	60"	<b>DSRNM2960</b>	550	1210	1060	1135	910
29"	66"	<b>DSRNM2966</b>	590	1305	1135	1220	990
29"	72"	<b>DSRNM2972</b>	625	1410	1210	1300	1050

## Square Corner

29"	24"	<b>DSSNM2924</b>	350	525	600	625	510
29"	30"	<b>DSSNM2930</b>	385	740	675	710	570
29"	36"	<b>DSSNM2936</b>	410	685	750	800	650
29"	42"	<b>DSSNM2942</b>	445	930	820	875	710
29"	48"	<b>DSSNM2948</b>	490	1020	900	960	785
29"	54"	<b>DSSNM2954</b>	525	1115	990	1050	850
29"	60"	<b>DSSNM2960</b>	550	1210	1060	1135	910
29"	66"	<b>DSSNM2966</b>	590	1305	1135	1220	990
29"	72"	<b>DSSNM2972</b>	625	1410	1210	1300	1050

# Makr Privacy Screens

46" System Height with Modesty



## Options / Notes:

**Standard Fabric:** Price based on Camira Rivet

**Premium Fabric:** Price Based on Camira Synergy 66

**COM Fabric:** Price will be determined based on specified fabric

**Clamp on Brackets:** Works on any surface less than 1.25" thick. Knife edge needs wood screws.

**Footprint:** Screens will add 1.5" in width and 2.25" in depth or width to the overall footprint of the desk

## Dimensions

## Screen Material

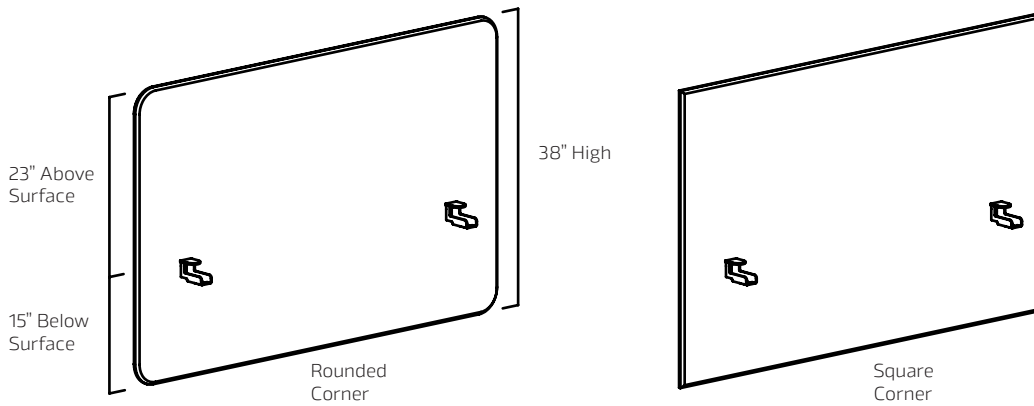
H	W	MODEL NUMBER	TFL	HPL/ Mirlux	Standard Fabric	Premium Fabric	Frosted Acrylic
Rounded Corner							
32"	24"	<b>DSRM3224</b>	365	560	615	865	535
32"	30"	<b>DSRM3230</b>	395	650	685	1010	615
32"	36"	<b>DSRM3236</b>	435	740	760	1160	685
32"	42"	<b>DSRM3242</b>	475	820	850	1300	775
32"	48"	<b>DSRM3248</b>	510	910	925	1445	835
32"	54"	<b>DSRM3254</b>	550	1000	1010	1585	910
32"	60"	<b>DSRM3260</b>	590	1085	1085	1735	970
32"	66"	<b>DSRM3266</b>	625	1175	1175	1880	1050
32"	72"	<b>DSRM3272</b>	660	1260	1250	2025	1125

## Square Corner

32"	24"	<b>DSSM3224</b>	365	560	615	865	535
32"	30"	<b>DSSM3230</b>	395	650	685	1010	615
32"	36"	<b>DSSM3236</b>	435	740	760	1160	685
32"	42"	<b>DSSM3242</b>	475	820	850	1300	775
32"	48"	<b>DSSM3248</b>	510	910	925	1445	835
32"	54"	<b>DSSM3254</b>	550	1000	1010	1585	910
32"	60"	<b>DSSM3260</b>	590	1085	1085	1735	970
32"	66"	<b>DSSM3266</b>	625	1175	1175	1880	1050
32"	72"	<b>DSSM3272</b>	660	1260	1250	2025	1125

# Makr Privacy Screens

54" System Height with Modesty



## Options / Notes:

**Standard Fabric:** Price based on Camira Rivet

**Premium Fabric:** Price Based on Camera Synergy 66

**COM Fabric:** Price will be determined based on specified fabric

**Clamp on Brackets:** Works on any surface less than 1.25" thick. Knife edge needs wood screws.

**Footprint:** Screens will add 1.5" in width and 2.25" in depth or width to the overall footprint of the desk

## Dimensions

## Screen Material

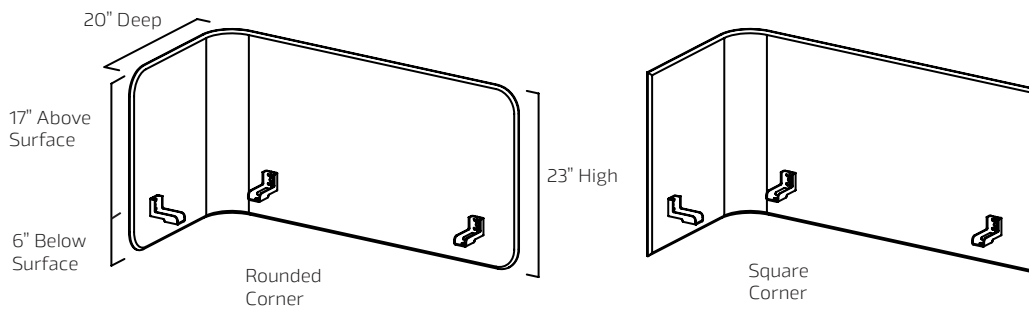
H	W	MODEL NUMBER	TFL	HPL/ Mirlux	Standard Fabric	Premium Fabric	Frosted Acrylic
Rounded Corner							
38"	24"	<b>DSRM3824</b>	385	625	625	885	600
38"	30"	<b>DSRM3830</b>	435	740	710	1035	685
38"	36"	<b>DSRM3836</b>	475	835	800	1185	775
38"	42"	<b>DSRM3842</b>	525	935	885	1335	850
38"	48"	<b>DSRM3848</b>	560	1035	970	1485	935
38"	54"	<b>DSRM3854</b>	615	1150	1060	1525	1025
38"	60"	<b>DSRM3860</b>	650	1250	1150	1800	1115
38"	66"	<b>DSRM3866</b>	685	1345	1240	1945	1195
38"	72"	<b>DSRM3872</b>	740	1445	1310	2095	1275

## Square Corner

38"	24"	<b>DSSM3824</b>	385	625	625	885	600
38"	30"	<b>DSSM3830</b>	435	740	710	1035	685
38"	36"	<b>DSSM3836</b>	475	835	800	1185	775
38"	42"	<b>DSSM3842</b>	525	935	885	1335	850
38"	48"	<b>DSSM3848</b>	560	1035	970	1485	935
38"	54"	<b>DSSM3854</b>	615	1150	1060	1525	1025
38"	60"	<b>DSSM3860</b>	650	1250	1150	1800	1115
38"	66"	<b>DSSM3866</b>	685	1345	1240	1945	1195
38"	72"	<b>DSSM3872</b>	740	1445	1310	2095	1275

# Makr Privacy Screens

## 46" System Height Corner Screen



### Options / Notes:

**PET Material:** PET is the only finish available for corner screens. **Non Handed:** Screens are reversible and can be mounted on either sides of a surface **Footprint:** Screens will add 1.5" in width and 1.5" in depth to the overall footprint of the desk

### Dimensions

### Screen Material

H	W	MODEL NUMBER	PET
Rounded Corner			
23"	24"	<b>DSCRNM2324</b>	1125
23"	30"	<b>DSCRNM2330</b>	1745
23"	36"	<b>DSCRNM2336</b>	1745
23"	42"	<b>DSCRNM2342</b>	1745
23"	48"	<b>DSCRNM2348</b>	1745
23"	54"	<b>DSCRNM2354</b>	1745
23"	60"	<b>DSCRNM2360</b>	1745
23"	66"	<b>DSCRNM2366</b>	1745
23"	72"	<b>DSCRNM2372</b>	1745

### Square Corner

23"	24"	<b>DSCSNM2324</b>	1125
23"	30"	<b>DSCSNM2330</b>	1745
23"	36"	<b>DSCSNM2336</b>	1745
23"	42"	<b>DSCSNM2342</b>	1745
23"	48"	<b>DSCSNM2348</b>	1745
23"	54"	<b>DSCSNM2354</b>	1745
23"	60"	<b>DSCSNM2360</b>	1745
23"	66"	<b>DSCSNM2366</b>	1745
23"	72"	<b>DSCSNM2372</b>	1745

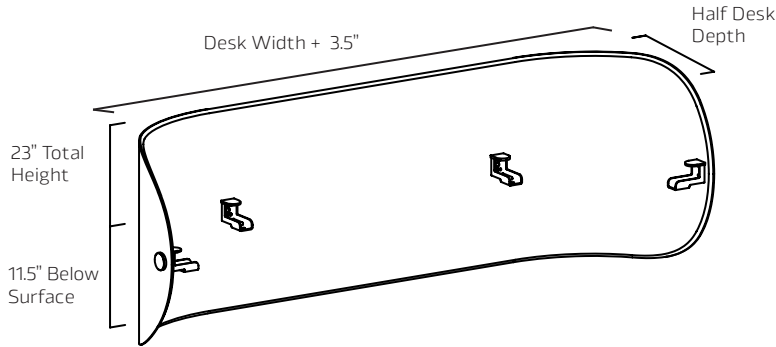


# Makr Privacy Screens

## Full Wrap Screen for Moment Racetrack Desk

### Options / Notes:

**PET Material:** PET is the only finish available for corner screens. **Non Handed:** The screens are symmetric.



### IMPORTANT Please Read:

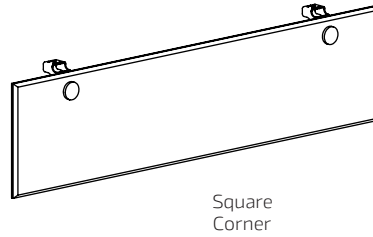
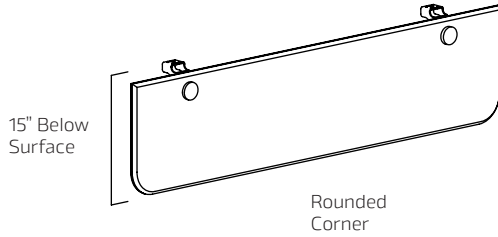
The screens are sized to work with the Moment Racetrack Desks. The dimensions shown below are for the desk that each screen accompanies, not the screen itself. The screen will add 3" in width (1.5" on each side) and 1.5" in depth to the overall footprint of the desk.

### Dimensions

### Screen Material

H	W	MODEL NUMBER	PET
	For Desk Width:		
12"	60"	<b>DSFWM1260</b>	2120
12"	72"	<b>DSFWM1272</b>	2120
15"	60"	<b>DSFWM1560</b>	2120
15"	72"	<b>DSFWM1572</b>	2120
18"	60"	<b>DSFWM1860</b>	2120
18"	72"	<b>DSFWM1872</b>	2120

# MOMENT Desk Modesty Screens 15"



## IMPORTANT Please Read:

The width dimensions shown below are based on the width of the **MOMENT Desk** the modesty will be mounted to. The actual modesty screen is 9" (4.5" on each side) undersized to fit between the desk legs. Specify a 60" modesty panel for a 60" **MOMENT Desk**, but the actual modesty screen will be 51" wide.

## Options / Notes:

**Standard Fabric:** Price based on Camira Rivet

**Premium Fabric:** Price Based on Camira Synergy 66

**COM Fabric:** Price will be determined based on specified fabric

**Screw on Brackets:** Wood screws allow the modesty panel to the underside of any wood surface.

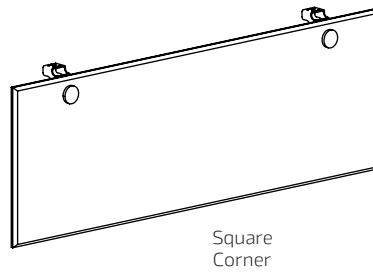
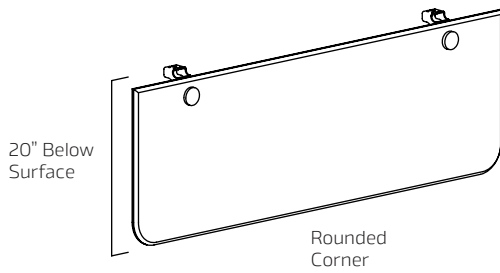
**Pendant Storage:** 15" below surface modesties match Pencil Box and Pencil Open Pendant Storage. Square corner modesty should be used when matching modesty.

## Dimensions

## Screen Material

H	W	MODEL NUMBER	TFL	HPL/ Mirlux	Standard Fabric	Premium Fabric	Frosted Acrylic
Rounded Corner							
15"	48"	<b>DMRNM1548</b>	310	410	525	740	445
15"	54"	<b>DMRNM1554</b>	340	435	560	810	490
15"	60"	<b>DMRNM1560</b>	365	475	600	875	510
15"	66"	<b>DMRNM1566</b>	375	510	635	945	550
15"	72"	<b>DMRNM1572</b>	385	535	675	1010	590
Square Corner							
15"	48"	<b>DMSNM1548</b>	310	410	525	740	445
15"	54"	<b>DMSNM1554</b>	340	435	560	810	490
15"	60"	<b>DMSNM1560</b>	365	475	600	875	510
15"	66"	<b>DMSNM1566</b>	375	510	635	945	550
15"	72"	<b>DMSNM1572</b>	385	535	675	1010	590

# MOMENT Desk Modesty Screens 20"



## Options / Notes:

**Standard Fabric:** Price based on Camira Rivet

**Premium Fabric:** Price Based on Camira Synergy 66

**COM Fabric:** Price will be determined based on specified fabric

**Screw on Brackets:** Wood screws allow the modesty panel to the underside of any wood surface.

**Pendant Storage:** 20" below surface modesties match Pencil File Pendant Storage. Square corner modesty should be used when matching modesty.

## IMPORTANT Please Read:

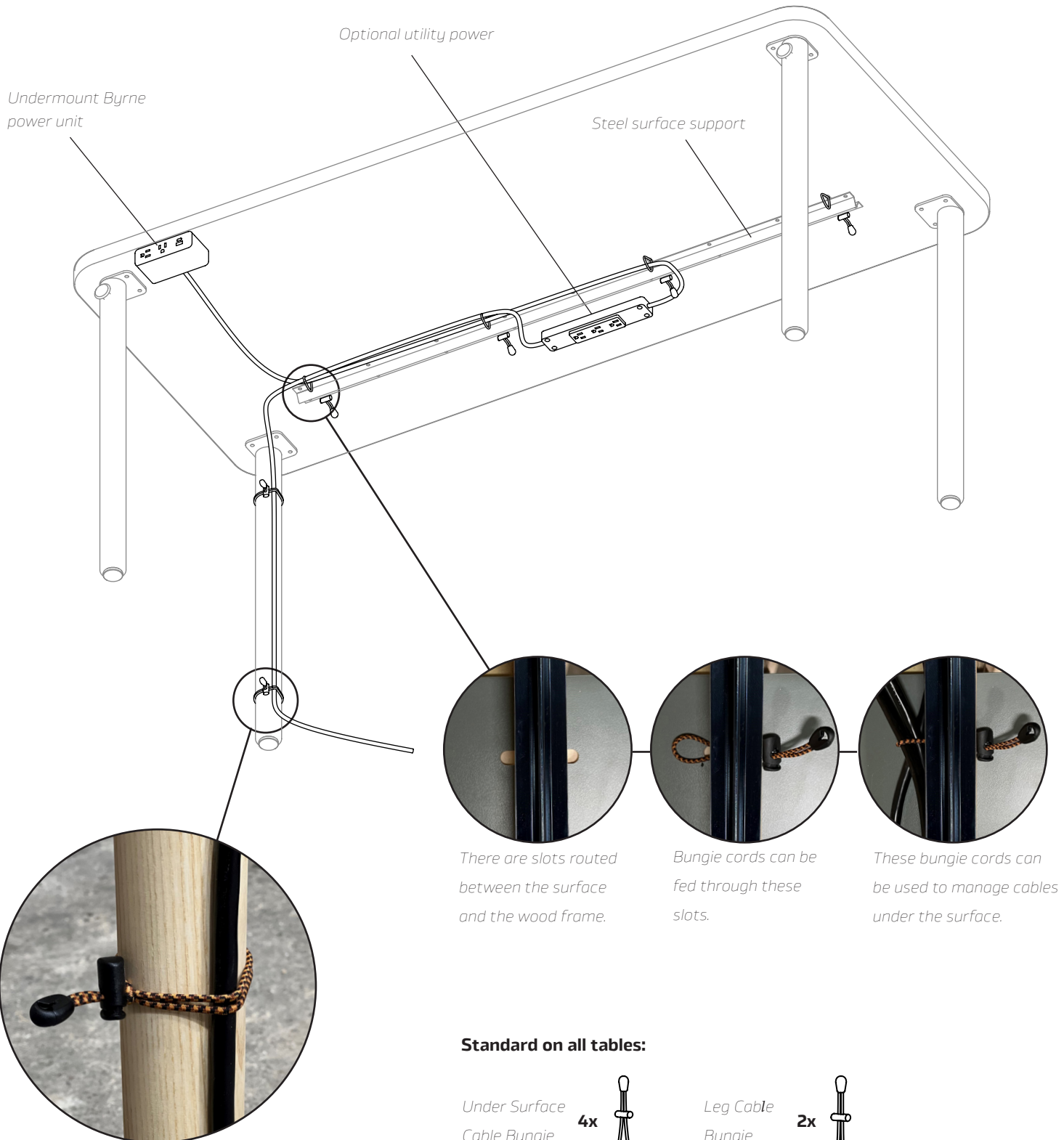
The width dimensions shown below are based on the width of the **MOMENT Desk** the modesty will be mounted to. The actual modesty screen is 9" (4.5" on each side) undersized to fit between the desk legs. Specify a 60" modesty panel for a 60" **MOMENT Desk**, but the actual modesty screen will be 51" wide.

## Dimensions

## Screen Material

H	W	MODEL NUMBER	TFL	HPL/ Mirlux	Standard Fabric	Premium Fabric	Frosted Acrylic
Rounded Corner							
20"	48"	<b>DMRNM2048</b>	350	490	560	775	525
20"	54"	<b>DMRNM2054</b>	375	525	600	850	560
20"	60"	<b>DMRNM2060</b>	400	570	635	910	615
20"	66"	<b>DMRNM2066</b>	425	615	685	990	650
20"	72"	<b>DMRNM2072</b>	445	660	725	1060	695
Square Corner							
20"	48"	<b>DMSNM2048</b>	350	490	560	775	525
20"	54"	<b>DMSNM2054</b>	375	525	600	850	560
20"	60"	<b>DMSNM2060</b>	400	570	635	910	615
20"	66"	<b>DMSNM2066</b>	425	615	685	990	650
20"	72"	<b>DMSNM2072</b>	445	660	725	1060	695

# MOMENT Desk Cable Management (stand alone power)



Optional utility power

Undermount Byrne power unit

Steel surface support

There are slots routed between the surface and the wood frame.

Bungee cords can be fed through these slots.

These bungee cords can be used to manage cables under the surface.

### Standard on all tables:

Under Surface Cable Bungee

4x



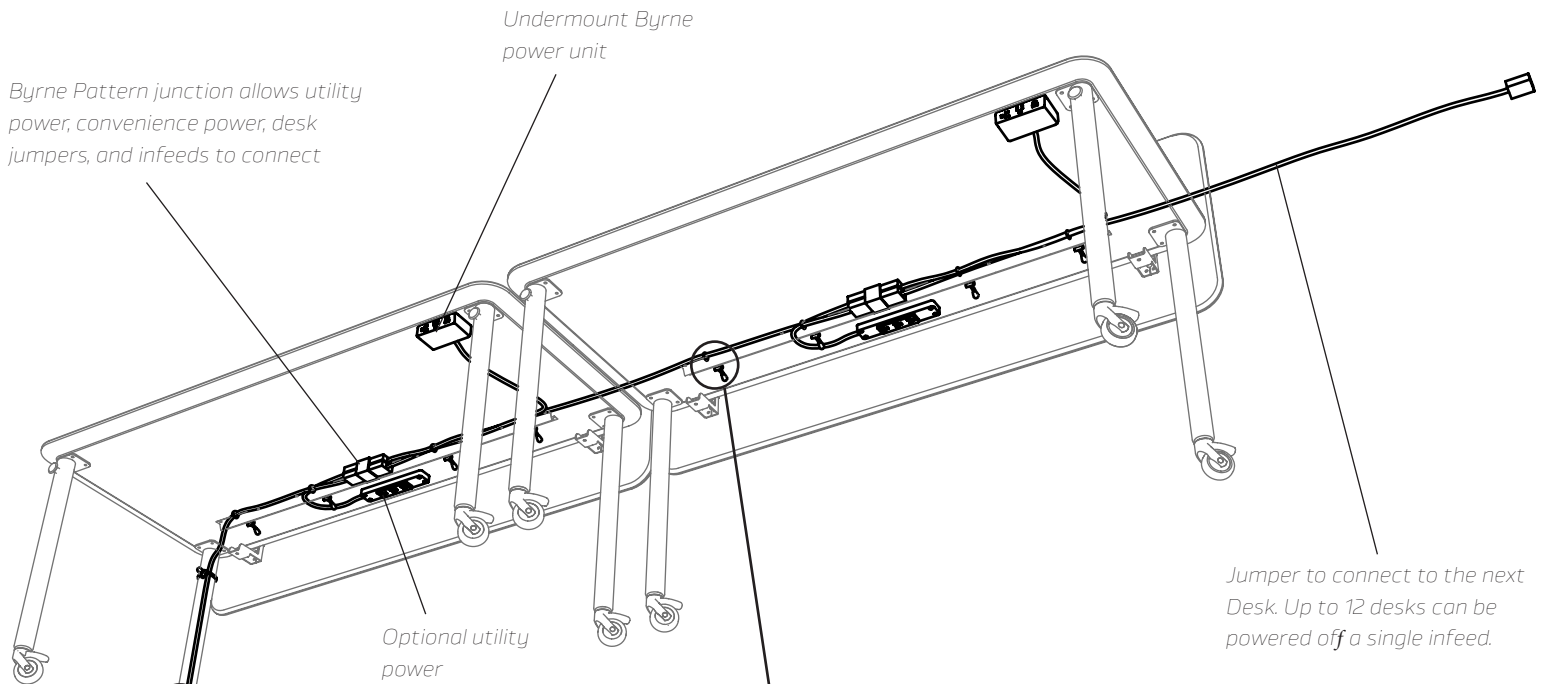
Leg Cable Bungee

2x

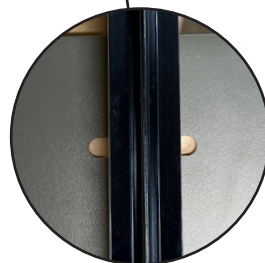


Adjustable bungee cords offer user configurable cable management **down** any table leg

# MOMENT Desk Cable Management (systems power)



10' Power infeed. 20 amp head or hardwire whip options



There are slots routed between the surface and the wood frame.



Bungee cords can be fed through these slots.



These bungee cords can be used to manage cables under the surface.



Adjustable bungee cords offer user configurable cable management down any table leg

### Standard on all tables:

Under Surface Cable Bungie

4x



Leg Cable Bungie

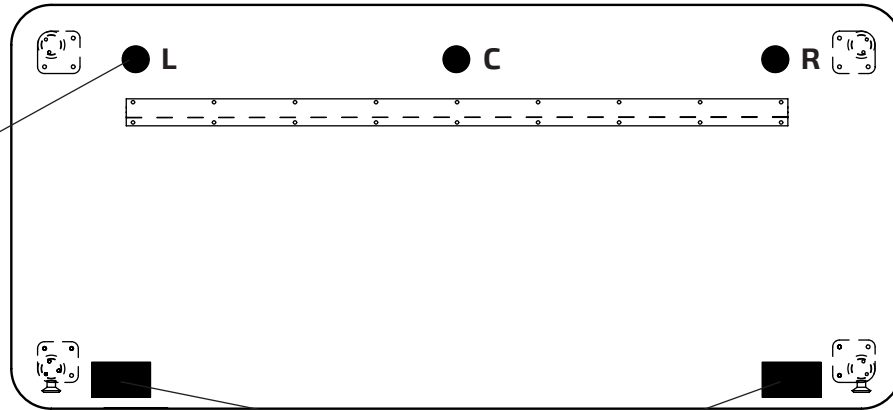
2x



# MOMENT Teacher Desk Power Placement

---

Clamp on power units can be placed anywhere along the back edge of the desk



Grommets can be specified on the left, center, or right side of the desk

Under mount power units can be mounted specified for the right or left side of the desk

**+\$70 list per grommet**

# MOMENT Teacher Desk Power Placement

**Notes:**

A Hydraplex configuration comes with a 3 port inline utility power unit that is mounted under the surface of the desk. This utility power unit shares the same power cord as the main user convenience power unit. This means a single cord powers both units.

The Pattern option comes with a pattern compatible power unit, a junction block, and a jumper cable 84" in length that connects to the next desk (up to 12). An optional under surface 3 port utility power can be specified that connects to the same junction block. A single infeed must be specified per pod of desks.





**Options:**

- Braided Infeed Cord:** +\$125
- Hardwired Infeed:** +\$250
- Utility power:** +\$250
- Pattern Infeed:** +\$400
- Finish option on Byrne website.
- Select finishes may add extra cost.
- Select finishes may add extra cost.

Power Unit	Description	Stand alone	Stand alone Hydraplex	Pattern
<b>Built in 100 Watt USB C</b>	4 port: 1 port per leg	875	NA	1240



*This power solution is proprietary to Makr Furniture and the Moment Desks. It integrates a 100-Watt USB C charging port into the front two desk legs. This is enough power to charge devices ranging from cell phones to full sized laptops. In addition to power, hardware data, peripherals, and displays can pass through these ports with the use of data Hubs. Makr can work with your technology needs to help specify the proper Hub for your application. A data hub is not included in this price. The standalone solution comes with a power supply that can be plugged into a wall outlet. The pattern solution comes with a 3-port utility power strip that is connected to a pattern junction block. The USB C power supply occupies one of these three ports, leaving two open for the end user.*

<b>Finch Undermount</b>		3 port: 2 PWR / USB A + C	530	1175	1175
<b>Finch Edgemount</b>		3 port: 2 PWR / USB A + C	530	1175	1175
<b>Dean Undermount</b>		3 port: 3 PWR	435	935	1175
		3 port: 2 PWR / 1 USB A + C	595	935	1175
<b>Dean Edgemount</b>		3 port: 3 PWR	435	935	1175
		3 port: 2 PWR / 1 USB A + C	595	935	1175